

AFL-F08A 8" Flat-Bezel Panel PC



The new 8" panel is a full-flat surface touchscreen PC. The AFL-F08A includes all necessary input/output interfaces to control any subsystem or automation hardware in your office, business, or home. The new stylish design is easily integrated into any environment. The front panel is IP64 compliant. An optional projected capacitive touchscreen provides a multi-touch interactive user experience. The AFL-F08A will be available with Windows 7.

Features:

- 8.0" LED TFT-LCD with stylish Flat-bezel touchscreen
- Optional projected capacitive touchscreen supports multitouch
- Fanless system with Intel® Atom™ Processor N270 (512K Cache, 1.60 GHz, 533 MHz FSB)
- On-screen display menus controlled by cap-sensor in the front panel
- Optional color change kit matches the style of any decoration
- Wireless WI-FI LAN 802.11 b/g
- Integrated Bluetooth 2.0 module
- Build-in 300K pixel CMOS camera with low-light capability
- Two 1.5W speakers and microphone for multimedia applications
- IP64 compliant front panel
- IEI One Key Recovery solution allows you to create rapid OS backup and recovery (Suggest over 4GB storage capacity)

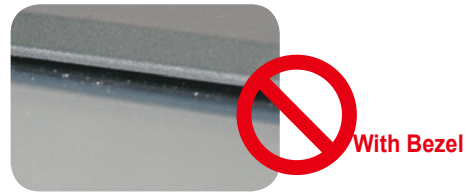


Full-flat Surface Touchscreen

The AFL-F08A flat-bezel design covers the entire front frame (bezel) of standard LCD to make the screen and bezel appear to blend together. The seamless flat-bezel touchscreen system offers a stylish and easy to clean surface.

Flat-Bezel Advantages:

- Better visual effects
- No edge effects
- Sleek and stylish
- Easy to clean



Applications:



OFFICE



LIVING ROOM



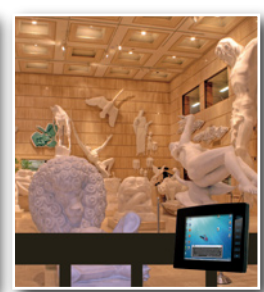
YACHTING



KITCHEN



AUTOMATION



MUSEUM

1 Automation Panel Solutions

2 All-in-One Touch POS

3 Digital Signage

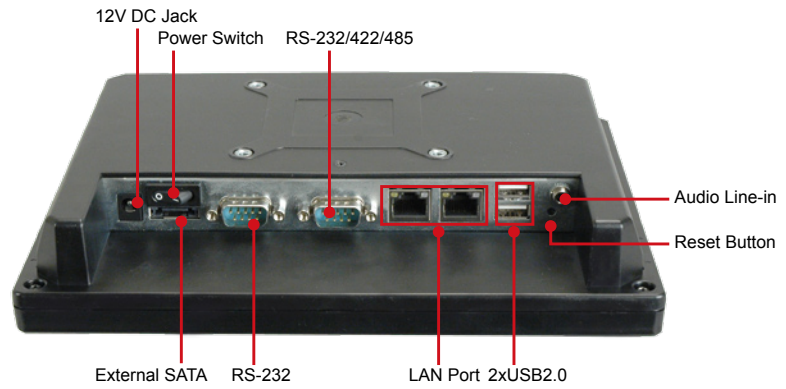
4 Video Wall Controller

5 RISC-based Solutions

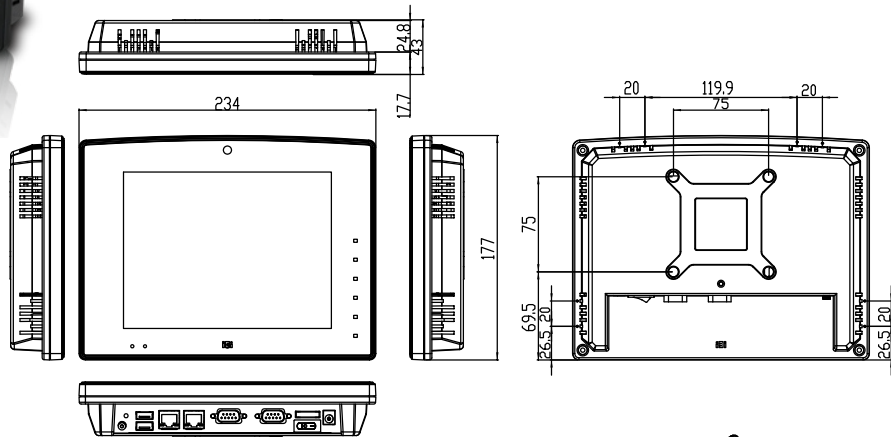
6 PACSmate Medical

7 Optional Peripherals

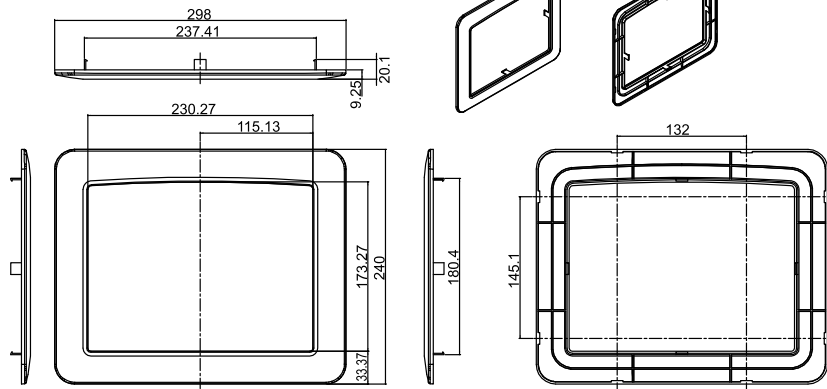
Versatile I/O Ports



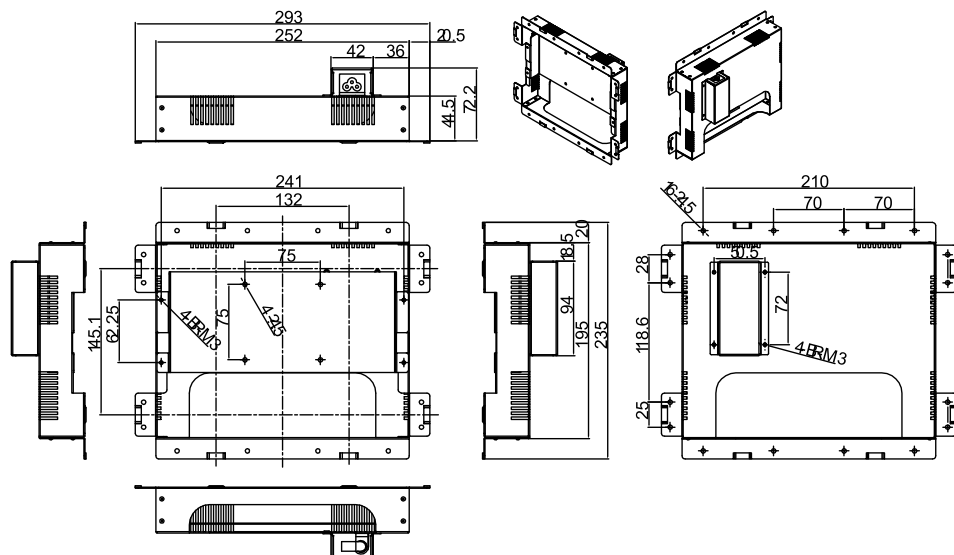
AFL-F08A Dimensions (Unit: mm)



Decoration Kit Dimensions (Unit: mm)



In-Wall Cage Dimensions (Unit: mm)



1
Automation
Panel
Solutions

2
All-in-One
Touch POS

3
Digital
Signage

4
Video Wall
Controller

5
RISC-
based
Solutions

6
PACSmate
Medical

7
Optional
Peripherals

Specifications

Fanless



| | |
|---------------------------------|--|
| Model | AFL-F08A-N270 |
| LCD Size | 8" |
| Max Resolution | 800 x 600 |
| Brightness (cd/m ²) | 250 |
| Contrast Ratio | 500:1 |
| LCD Color | 262K |
| Pixel Pitch (mm) | 0.2025(H) x 0.2025(V) |
| Viewing Angle (H-V) | 140° / 130° |
| Backlight MTBF | 30000 hrs (LED) |
| SBC Model | AFLMB-945GSE-N270-R10 |
| CPU | Intel® Atom™ Processor N270 (512K Cache, 1.60 GHz, 533 MHz FSB) |
| Chipset | Intel® 945GSE + ICH7M |
| RAM | Supports one 400MHz or 533MHz DDR2 SO-DIMM (2GB Max.) |
| I/O Ports | 1 x RS-232 COM Port 1 x RS-232/422/485 COM port 2 x RJ-45 for Giga LAN 2 x USB 2.0 1 x Power Switch 1 x Reset Button 1 x Audio Port (line-out) 1 x 12V DC Power Jack 1 x External SATA |
| SSD | CF Typell |
| Watchdog Timer | Software programmable supports 1~255 sec. System reset |
| Audio | AMP 1.5W + 1.5W (internal speaker) |
| Expansion | 1 x Wireless Lan 802.11 b/g Module (internal Mini PCIe interface) 1 x Bluetooth V2.0 (internal USB interface) 300k pixel webcam |
| Front Panel Construction | ABS + PC Plastic front frame |
| Membrane Keypad | LCD On/Off, Brightness Up/Down, Volume High/Low by Cap-Sensor |
| Mounting | In-Wall, Panel, Wall, Stand and Arm VESA 75mm x 75mm |
| Front Panel Color | Black |
| Dimensions (WxHxD) (mm) | 234 x 177 x 43 |
| Operation Temperature (°C) | -10°C ~ 50°C |
| Storage Temperature (°C) | -20°C ~ 60°C |
| N/G Weight | 1.8Kg |
| IP Level | IP64 Front Panel |
| Safety & EMC | CE / FCC / CB / CCC |
| Touch Screen | Resistive Type 5-Wire (Touch controller IC is on board) or Projective Capacitive type touch screen |
| Power Adapter | 63000-FSP036RAB608-RS 48W Power Adapter Input: 90VAC~264VAC, 50/60Hz Output: 12VDC |
| Power Requirement | 12VDC |
| Power Consumption | 32W |

Note: WiFi 802.11 draft N is upgradable.

Ordering Information

| | Part Number | Description |
|----------------------------------|-------------------------|--|
| Resistive Touch Panel | AFL-F08A-N270/R/1G-R10 | 8.0" 250cd/m ² SVGA Fanless panel PC with Intel® Atom™ N270 1.6GHz CPU, 1GB DDR2 RAM, 802.11 b/g WiFi, touch screen, Bluetooth, 300K camera, microphone, RoHS |
| Projected Capacitive Touch Panel | AFL-F08A-N270/PC/1G-R10 | 8.0" 250cd/m ² SVGA Fanless panel PC with Intel® Atom™ N270 1.6GHz CPU, 1GB DDR2 RAM, 802.11 b/g WiFi, Projective capacitive touch screen, Bluetooth, 300K camera, microphone, RoHS |

Options

| | |
|-----------------------------------|-----------------------------|
| Model | AFL-F08A-N270 |
| Panel mounting kit | AFLPK-12 |
| Wall mounting kit | AFLWK-12 |
| Rack mounting kit | AFLRK-08 |
| ARM | ARM-11-RS / ARM-31-RS |
| Stand | STAND-A08 / STAND-100-RS |
| VSTAND | VSTAND-A10 |
| 9~30VDC to 12VDC converter module | IDD-930160-KIT |
| OS: Win CE 6.0 (128 MB CF card) | AFLCF-F08-N270-CE060-R10 |
| OS: Win XPE (1 GB CF card) | AFLCF-F08-N270-XPE-R10 |
| OS: LINUX (2 GB CF card) | AFLCF-F08-N270-LNX-R10 |
| Hybrid Card Reader | AFLP-08AMSI-U |
| Magnetic Stripe Reader | AFLP-08AMSR-U |
| DC 12V Input UPS | AUPS-A10-R10 (7.4V 3800mAh) |
| DC 9~36V Input UPS | AUPS-A20-R10 (7.4V 3800mAh) |

Note: OS image only support single touch

Packing List

| Item | Part Number | Q'ty | Specification |
|---------------|-----------------------|------|---|
| Screws Pack | 44013-030041-RS | 4 | M3;5mm |
| Power Adpater | 63000-FSP036RAB608-RS | 1 | 90~264V AC; 12V DC; 36W |
| Power Cord | 32000-000002-RS | 1 | 1750mm; European Standard (EU or US. Which type of cord is shipped depends on the shipment country) |
| Utilities CD | 7B000-000087-RS | 1 | |
| Touch Pen | XTR104-0002-RS | 1 | |

1
Automation
Panel
Solutions

2
All-in-One
Touch POS

3
Digital
Signage

4
Video Wall
Controller

5
RISC-
based
Solutions

6
PACSmate
Medical

7
Optional
Peripherals