

IBX-300B/BC

Fanless Dual Core Box for Digital Security and Surveillance



Fanless



IBX-300BC
(Front side)



IBX-300BC
(Rear side)

Features

- ◆ Dual core computing power in 1 liter compact box
- ◆ New generation Intel® Atom™ D510 1.66GHz processor inside
- ◆ 8 channels real time video capture with D1 resolution
- ◆ VGA display resolution up to 2048 *1536
- ◆ Support one 2.5" SATA hard drive

Specifications

Model	IBX-300B	IBX-300BC
Processor	Intel® Atom™ Processor D510 1.66GHz/2x 512KB L2 Cache	
Chipset	ICH8M	
Video Capture Engine	N/A	Conexant CX25853 Multiport Composite Video Decoder (8 inputs by cable) Conexant CX25821 PCIe Media Bridge
System Memory	Built-in 1GB DDR2 SDRAM SO-DIMM	
Ethernet	1 x GbE (Intel® 82567V)	
Display	VGA (2048 x 1536@60Hz)	
USB	4 x USB 2.0	
Serial Port	1 x RS-232	
Audio	1 x mic in, 1 x line out	
Storage	1 x 2.5" SATA HDD	
Wireless (optional)	802.11 b/g for wireless model	
Power Input	12VDC in	
Operating Temperature	-10°C~50°C (with HDD) with air flow*	-10°C~40°C (with HDD) with air flow*
Operating shock	Half-sine wave shock 3G; 11ms; 3 shocks per axis	
Operating Vibration	MIL-STD-810F 514.5C-1	
Weight (Net/Gross)	1.0 kg / 2.8 kg	
Dimensions (DxWxH)	160mm(W) x 123.5mm(D) x 51.3mm (H)	
Mounting	Desktop, wall mount, VESA mount (optional)	

* Ambient air speed pre IEC-68-2-2 standard

Video Capture



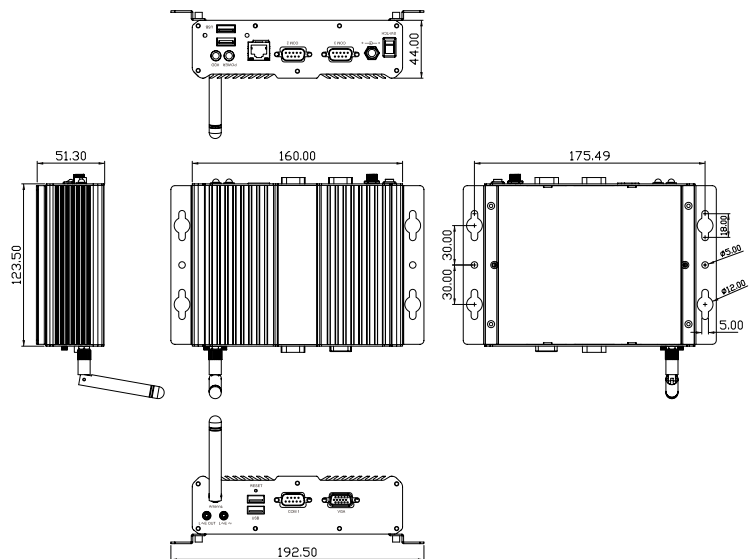
8 Channels Video Capturing

Video capture Engine	Conexant CX25853
Video Input	8 channels composite video(NTSC/PAL/SECAM)
Video ADC	10-bit
Max. resolution	720 x 480(NTSC), 720x576(PAL/SECAM)
Frame rate	NTSC: 8 channels with 30fps@D1 per channel PAL/SECAM: 8 channels with 25fps@D1 per channel
Driver support	Windows XP, Vista

Packing List

1 x QIG
1 x Driver CD
2 x Quad channel BNC cable (IBX-300BC series)
1 x Screw set
1 x SATA hard drive cable
1 x Power adaptor (with ERP and PSE certificates)
1 x 2dbi wireless antenna (for wireless model only)
1 x Power cord

Dimensions (unit: mm)



Ordering Information

Part No.	Description
IBX-300BC-R10/D510/1GB	Fanless embedded system with Intel® Atom™ Processor dual core D510 1.66G CPU, with two DB9 for 8 channels video capture, with 1GB DDR2 memory, 40W power adaptor with ERP and PSE certificates, Blue, RoHS
IBX-300BCW-R10/D510/1GB	Fanless embedded system with Intel® Atom™ Processor dual core D510 1.66G CPU, with two DB9 for 8 channels video capture, with 1GB DDR2 memory, built-in 802.11b/g wireless, 40W power adaptor with ERP and PSE certificates, Blue, RoHS
IBX-300B-R10/D510/1GB	Fanless embedded system with Intel® Atom™ Processor dual core D510 1.66G CPU, with 1GB DDR2 memory, 60W power adaptor with ERP and PSE certificates, Blue, RoHS
IBX-300BW-R10/D510/1GB	Fanless embedded system with Intel® Atom™ Processor dual core D510 1.66G CPU, with 1GB DDR2 memory, built-in 802.11b/g wireless, 60W power adaptor with ERP and PSE certificates, Blue, RoHS