

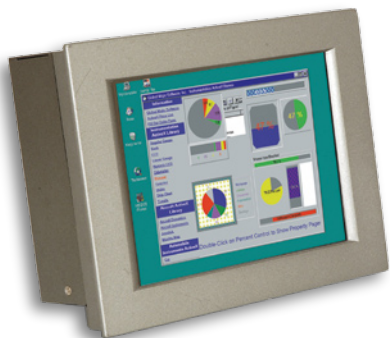
Industrial Aluminum PPC-27 Series

PPC-2706GHS/LX-800

AMD Geode LX800 500MHz Processor with 6.5" TFT LCD and Touchscreen

PPC-2708GHS/LX-800

AMD Geode LX800 500MHz Processor with 8.4" TFT LCD and Touchscreen



Features

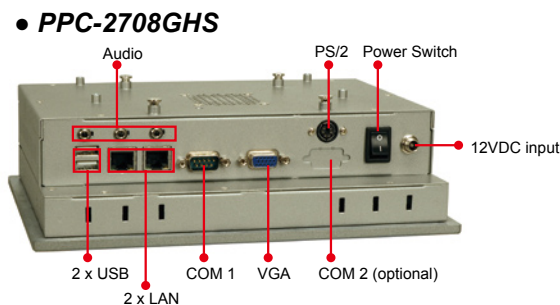
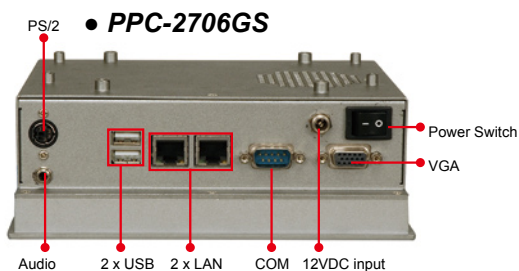
1. 6.5" TFT VGA LCD / 8.4" TFT SVGA LCD
2. AMD Geode™ LX-800 processor
3. Supports 1 GB (max.) 333/444 MHz DDR SO-DIMM
4. Dual 10/100Mbps Ethernet
5. One CompactFlash® Type I/II socket
6. Aluminum die-casting front panel compliant with IP 65 standard
7. IEI One Key Recovery solution allows you to create rapid OS backup and recovery (Suggest over 4GB storage capacity)



Specifications

Model		PPC-2706GS/LX-800	PPC-2708GHS/LX-800	
Display	LCD Size	6.5"	8.4"	
	Max Resolution	640(W) x 480(H)	800(W) x 600(H)	
	Brightness (cd/m²)	500	400	
	Contrast Ratio	450 : 1	400 : 1	
	LCD Color	262K	262K	
	Pixel Pitch (mm)	0.069(W) x 0.207(H)	0.213(H) x 0.213(V)	
	Viewing Angle (V-H)	120° / 140°	100° / 120°	
	Backlight MTBF (hrs)	30,000	50,000	
Motherboard	SBC Model	WAFAER-LX-800	WAFAER-LX-800	
	CPU	AMD Geode LX800 500MHz processor	AMD Geode LX800 500MHz processor	
	Chipset	AMD Geode LX800 + AMD CS5536	AMD Geode LX800 + AMD CS5536	
	RAM	Supports one 333/400MHz DDR SO-DIMM(1GB Max.)	Supports one 333/400MHz DDR SO-DIMM(1GB Max.)	
I/O Ports and Switches		1 x RS-232 COM Port 2 x USB Port 1 x PS/2 (KB/MS) 2 x RJ-45 for 10/100Mbps LAN 1 X VGA out 1 x Audio (Line-out) 1 x 12VDC input Power Jack 1 x Power Switch	2 x RS-232 COM Port (One optional for Touch Screen) 2 x USB Port 1 x PS/2 (KB/MS) 2 x RJ-45 for 10/100Mbps LAN 1 X VGA out 1 x Audio (Line-in, Line-out, MIC-in) 1 x 12VDC input Power Jack 1 x Power Switch	
	Driver Bay	HDD Driver Bay SSD	1 x 2.5" SATA/IDE HDD Bay CF Type II	
	Physical	Construction Front Panel	Aluminum	Aluminum
		Construction Chasis	Heavy-duty Steel	Heavy-duty Steel
		Mounting	Panel, Wall, Rack, Stand and Arm VESA 100mm x 100mm	Panel, Wall, Rack, Stand and Arm VESA 100mm x 100mm
		Front Panel Color	Silver (Pantone 8001C)	Silver (Pantone 8001C)
Dimension (WxHxD) (mm)		183 x 143 x 62.6	244 x 178 x 67	
Environment	Net Gross Weight	1.4 Kg / 3.4 Kg	2.2 Kg / 4.4 Kg	
	Operation Temperature (°C)	-10°C ~50°C	-10°C ~50°C	
	Storage Temperature (°C)	-20°C ~60°C	-20°C ~60°C	
	Vibration	5~17Hz, 0.1" double amplitude displacement 17~640Hz, 1.5G acceleration peak to peak 10G acceleration part to part (11ms)	5~17Hz, 0.1" double amplitude displacement 17~640Hz, 1.5G acceleration peak to peak 10G acceleration part to part (11ms)	
Touch Screen		Resistive Type 4-Wire with RS-232 interface	Resistive Type 4-Wire with RS-232 interface	
Power Supply	AC / DC Power Adapter	P/N: 63000-FSP060DBAB1552-RS 60W Power Adapter Input: 90VAC~264VAC, 50/60Hz Output: 12VDC	P/N: 63000-FSP060DBAB1552-RS 60W Power Adapter Input: 90VAC~264VAC, 50/60Hz Output: 12VDC	
Front Panel Protection		IP65 Compliant	IP65 Compliant	
Certificate		Meets CE, FCC	Meets CE, FCC	

Fully Integrated I/O



1
Automation
Panel
Solutions

2
All-in-One
Touch POS

3
Digital
Signage

4
Video Wall
Controller

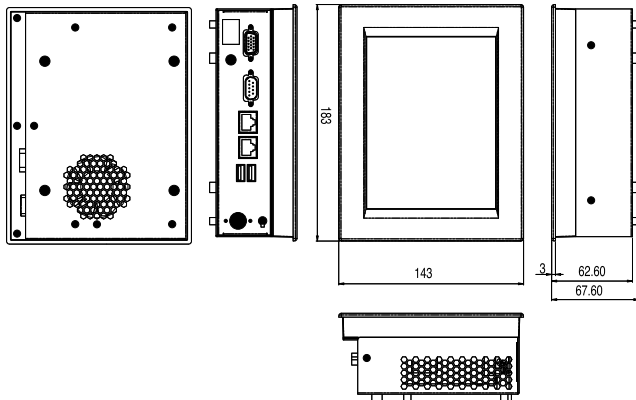
5
RISC-based
Solutions

6
PACsmate
Medical

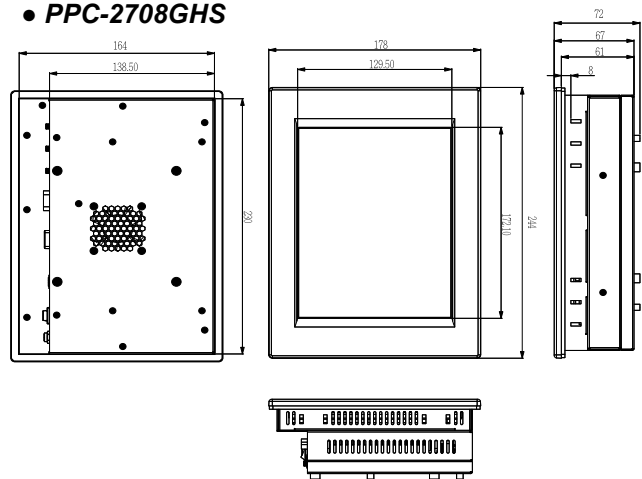
7
Optional
Peripherals

Dimensions (Unit: mm)

• PPC-2706GS



• PPC-2708GHS



Compact Size

The compact size is suitable for any places with space limitations.

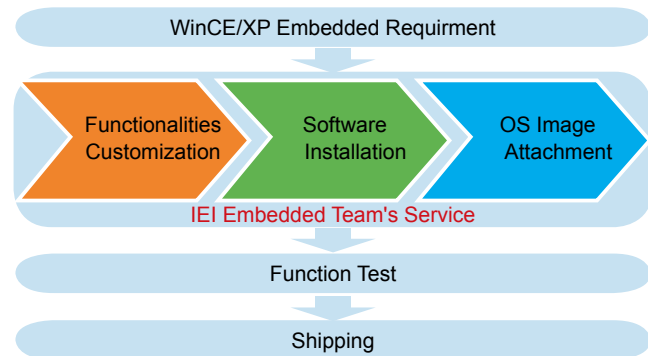
Only 64.6mm



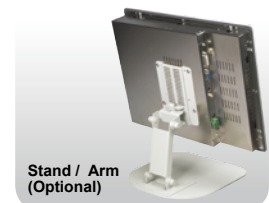
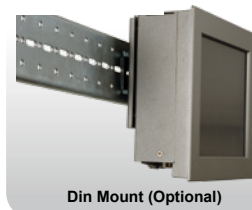
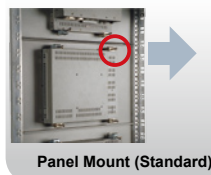
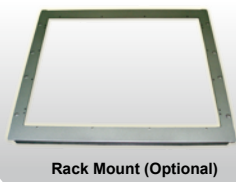
With Din Mount design, adapt easily to working environments

IEI OS Build Service Flow Chart

IEI offers OS build service in the industrial CF card as the total solution for embedded Panel PC.



IQ Mount Supporting List



Options

	PPC-2706GS/LX	PPC-2708GHS/LX
Rack Mount Kits	RK-065MS-R10	RK-084MS-R10
LCD Monitor Arm	ARM-11-RS	ARM-11-RS
LCD Monitor Stand Din Mounting Kits	STAND-100-RS/DK-084MS	STAND-100-RS/DK-084MS
Din Mounting Kits	DK-084MS	DK-084MS

Packing List

Description	Part Number	Amount
Screw Kit	19600-000205-RS	1
Jumper Pack	33101-000249-RS	1
Power Cord	32000-000002-RS	1
Power Adapter	63000-FSP060DBAB1552-RS	1
PS/2 Cable	32000-133200-RS	1
Panel Mounting Kits	PK-065M (PPC-2706GS/LX) PK-084M (PPC-2708GHS/LX)	1
Wall Mounting Kit	WK-190MS-R10	1
Din Mounting Kit	19200-000025-R10 (PPC-2706GS/LX)	1
HDD IDE Cable	32200-074700-RS	2
Touch Screen Driver CD / Touch Pen		1
User Manual & Driver CD		1

Ordering Information

6.5" TFT LCD	PPC-2706GHS/LX-800/T-R/256MB	6.5" 500 cd/m ² VGA TFT Panel PC with WAFER-LX-800, Silver color and Touch Screen, 256MB DDR RAM, RoHS
8.4" TFT LCD	PPC-2708GHS-R11/LX-800/T-R/256MB	8.4" 400 cd/m ² SVGA TFT Panel PC with WAFER-LX-800 Silver color and Touch Screen, 256MB DDR RAM, RoHS
	PPC-2708GHS-R11/LX-800/T-R/512MB	8.4" 400 cd/m ² SVGA TFT Panel PC with WAFER-LX-800 Silver color and Touch Screen, 512MB DDR RAM, RoHS

1
Automation Panel Solutions

2
All-in-One Touch POS

3
Digital Signage

4
Video Wall Controller

5
RISC-based Solutions

6
PACSmate Medical

7
Optional Peripherals