

Industrial Aluminum PPC-27 Series

PPC-2710GHS/LX-800

AMD Geode LX800 500MHz Processor with 10.4" TFT LCD and Touchscreen

PPC-2712GS/LX-800

AMD Geode LX800 500MHz Processor with 12.1" TFT LCD and Touchscreen

1 Automation Panel Solutions

2 All-in-One Touch POS

3 Digital Signage

4 Video Wall Controller

5 RISC-based Solutions

6 PACSmate Medical

7 Optional Peripherals



Features

- 10.4" TFT SVGA LCD / 12.1" TFT XGA LCD
- Fanless cooling system
- 500 MHz AMD Geode™ LX 800 processor
- Supports 1 GB (max.) 333/444 MHz DDR SO-DIMM
- Dual 10/100Mbps Ethernet
- Fanless and ultra-low power consumption
- Optional 802.11 b/g wireless LAN module
- One CompactFlash® Type II socket
- IP 65 compliant aluminum front panel
- IEI One Key Recovery solution allows you to create rapid OS backup and recovery (Suggest over 4GB storage capacity)

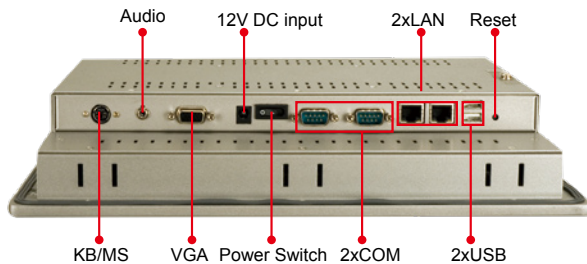


Specifications

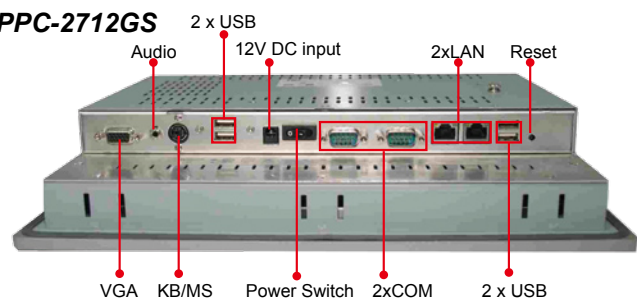
Model		PPC-2710GS/LX-800	PPC-2712GS/LX-800
Display	LCD Size	10.4"	12.1"
	Max Resolution	800(W) x 600(H)	1024(W) x 768(H)
	Brightness (cd/m²)	400	450
	Contrast Ratio	400 : 1	700:1
	LCD Color	262K	262K
	Pixel Pitch (mm)	0.264(H) x 0.264(V)	0.240(H) x 0.240(V)
	Viewing Angle (V-H)	100° / 120°	160° / 160°
	Backlight MTBF (hrs)	50,000	
Motherboard	SBC Model	AFLMB-LX-800	
	CPU	AMD Geode LX800 500MHz processor	
	Chipset	AMD Geode LX800 + AMD CS5536	
	RAM	Supports one 333/400MHz DDR SO-DIMM(1GB Max.)	
I/O Ports and Switches		2 x RS-232 COM Port	1 x PS/2 (KB/MS)
		2 x RJ-45 for 10/100Mbps LAN	1 x 12VDC input Power Jack
		2 x USB 2.0	4 x USB 2.0
		1 x VGA Port	1 x VGA Port
		1 x Audio (Line-out)	1 x Audio (Line-out)
Driver Bay	HDD Driver Bay	1 x 2.5" / IDE HDD Bay	
	SSD	CF Type II	
Physical	Extension Slot	1 x Wireless LAN 802.11 b/g Module (internal Mini PCI interface)	
	Construction Front Panel	Aluminum	
	Construction Chassis	Heavy-duty Steel	
	Mounting	Panel, Wall, Rack, Stand and Arm VESA 100mm x 100mm	
	Front Panel Color	Silver (Pantone 8001C)	
	Dimension (WxHxD) (mm)	311.5 x 242 x 58	340 x 260 x 66
	Net Gross Weight	2.8 Kg / 5.5 Kg	2.8 Kg / 5.7 Kg
Environment	Operation Temperature (°C)	-10°C ~50°C	
	Storage Temperature (°C)	-20°C ~60°C	
	Vibration	5~17Hz, 0.1" double amplitude displacement / 17~640Hz, 1.5G acceleration peak to peak	
	Shoock	10G acceleration part to part (11ms)	
Touch Screen		Resistive Type 5-Wire with RS-232 interface	
	Power Supply	AC / DC Power Adapter P/N: 63000-FSP050DBAB1405-RS 48W Power Adapter Input: 90VAC~264VAC, 50/60Hz Output: 12VDC	
Front Panel Protection		IP65 Compliant	
Certificate		Meets CE, FCC	

Fully Integrated I/O

• **PPC-2710GS**

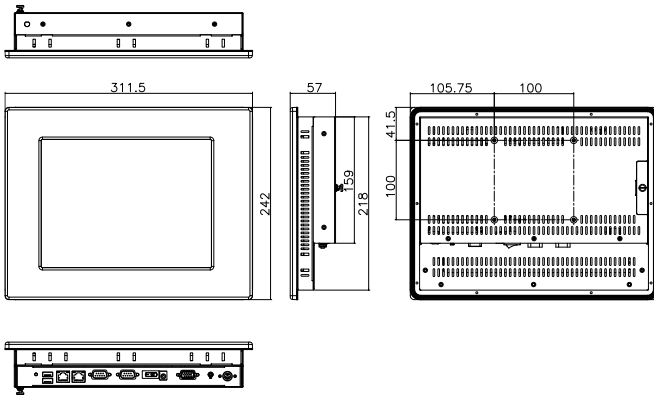


• **PPC-2712GS**

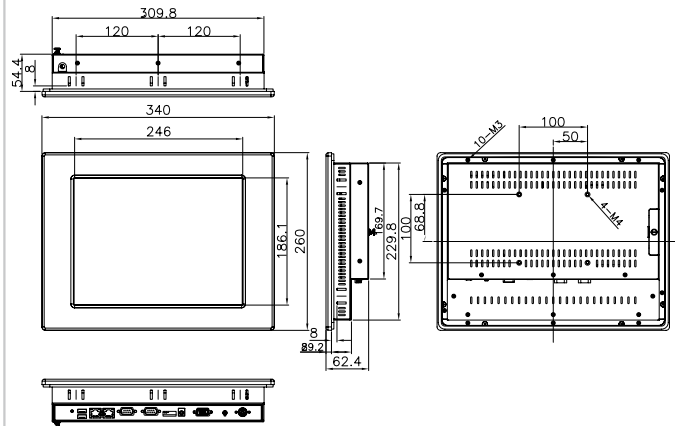


Dimensions (Unit: mm)

• **PPC-2710GS**



• **PPC-2712GS**



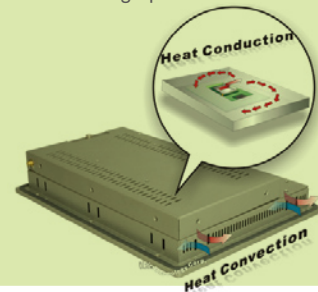
Optional 802.11 b/g Wireless LAN Module

The PPC-2710G and PPC-2712G equip with a wireless module that make larger bundles of data be transmitted at high speed and in real-time. The application of wireless LAN facilitates its use in large warehouses and at greater distances.



Fanless System

The PPC-2710G and PPC-2712G are designed with an AMD LX-800 platform. The AMD Geode™ LX 800 generates less heat than other processors but maintains an above-average performance enabling a fanless design. A fanless design reduces the failure caused by fans and extends the operation life of the device.



IQ Mount Supporting List



Rack Mount (Optional)



Panel Mount (Standard)



Wall Mount (Standard)



Stand / Arm (Optional)

Options

	PPC-2710GHS/LX	PPC-2712GS/LX
Rack mount kits	RK-104MS-R10	RK-121MS-R10
LCD Monitor Arm	ARM-11-RS	ARM-11-RS
LCD Monitor Stand Din Mounting Kits	STAND-100-RS	STAND-100-RS

Packing List

Description	Part Number	Amount
Screw Kit	19600-000207-RS	1
Jumper Pack	33100-000033-RS	1
Power Cord	32000-000002-RS	1
Power Adapter	63000-FSP050DBAB1405-RS	1
PS/2 Cable	32000-000138-RS	1
Panel Mounting Kits	PK-104M (PPC-2710GS/LX) PK-121M (PPC-2712GS/LX)	1
Wall Mounting Kit	WK-190MS-R10	1
Touch Screen Driver CD / Touch Pen		1
User Manual & Driver CD		1

Ordering Information

10.4" TFT LCD	PPC-2710GHS/AFLMB-LX-800/T-R/256MB	10.4" 400 cd/m ² SVGA TFT Panel PC with AFLMB-LX-800, Silver Color & Touch Screen, 256MB RAM, RoHS
12.1" TFT LCD	PPC-2712GS/AFLMB-LX-800/T-R/256MB	12.1" 450 cd/m ² XGA TFT Panel PC with AFLMB-LX-800, Silver Color & Touch Screen, 256MB DDR RAM, RoHS

1

Automation Panel Solutions

2

All-in-One Touch POS

3

Digital Signage

4

Video Wall Controller

5

RISC-based Solutions

6

PACSmate Medical

7

Optional Peripherals