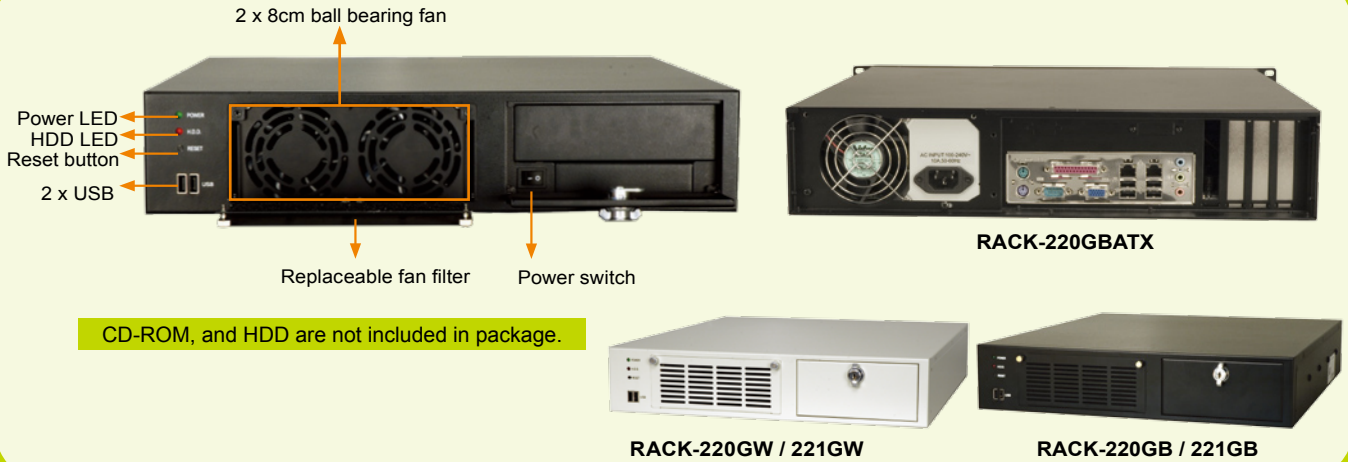


RACK-220G/221G 2U 6-slot Full-size Rackmount Chassis



Features

- ◆ RoHS compliant design
- ◆ Two USB ports on the front panel
- ◆ Two, 8 cm cooling fans with replaceable fan filter
- ◆ One 5.25" and one 3.5" drive bay
- ◆ One 3.5" internal hard drive bay
- ◆ Lockable door prevents unauthorized access

Specifications

◆ Construction	Heavy duty metal
◆ SBC Form Factor	Full-size, slot CPU card
◆ Drive Bays	1 x 5.25" 1 x 3.5" 1 x 3.5" HDD (internal)
◆ Cooling Fans	2 x 8 cm
◆ I/O Ports	2 x USB
◆ Expansion Slots	6 slots
◆ Indicators	Power, HDD
◆ Buttons	Power switch, reset button
◆ Operating Temperature	0°C~50°C
◆ Operation Humidity	10% ~ 90%
◆ Color	W:White / B:Black
◆ Weight (Net/ Gross)	8.2 kg / 12.4 kg
◆ Dimensions (DxWxH)	487.5 mm x 431 mm x 88 mm

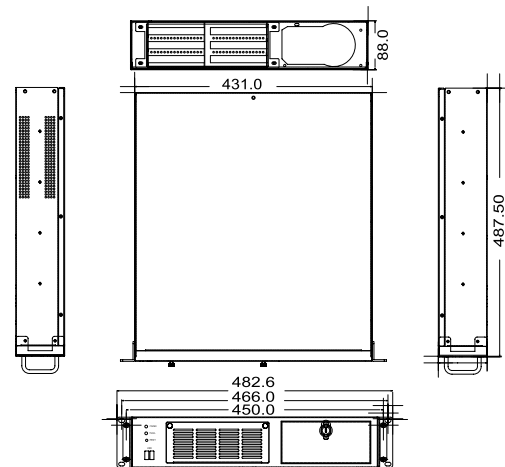
Ordering Information

Part No.	Description
RACK-220G <input type="checkbox"/> /ACE-832AP	2U 6-slot full-size rackmount chassis for PICMG 1.0 SBC, with ACE-832AP-RS, RoHS
RACK-220G <input type="checkbox"/> ATX /ACE-832AP	2U rackmount chassis for microATX motherboard, with ACE-832AP-RS, RoHS
RACK-221G <input type="checkbox"/> /ACE-832AP	2U 6-slot full-size rackmount chassis for PICMG 1.3 SBC, with ACE-832AP-RS, RoHS

Color Code: B-Black W-White
Full-size card can not be installed in chassis, because of the limitation of height.

Dimensions

measurement units: millimeter



Selection Guide

Model No.	SBC Type	PSU Type	Color Options
RACK-220G <input type="checkbox"/>	PICMG 1.0	PS/2	black / white
RACK-220G <input type="checkbox"/> ATX	microATX MB	PS/2	black / white
RACK-221G <input type="checkbox"/>	PICMG 1.3	PS/2	black / white

Backplane Options

Model No.	SBC Type	PCI	ISA	PCIe			PSU Connector
				x1	x4	x16	
PCI-5SDA-RS	PICMG 1.0	L2+R2	0	0	0	0	AT/ATX
PCI-5SD5-RS	PICMG 1.0	L2+R2	0	0	0	0	AT
PCI-5SD6-RS	PICMG 1.0	L2+R2	0	0	0	0	ATX
PCI-6SD-RS	PICMG 1.0	L1+R1	L1+R1	0	0	0	ATX
PE-6SD	PICMG 1.3	0	0	3	0	1	ATX
PE-6SD2	PICMG 1.3	1	0	2	0	1	ATX
PE-6SD3-RS	PICMG 1.3	2	0	0	1	1	ATX

*Backplanes for RACK-200G / *Backplanes for RACK-210G

Power Supply Options

Type	Model No.	Watt
ATX	ACE-925AP-U-RS	250W
	ACE-925AL-RS	300W
ATX	ACE-832AP-RS	300W
	ACE-841AP-S-RS	400W

RACK-220G/221G can support single PS/2 PSU. For more models of IEI PSU, please refer to section 8 or visit www.ieiworld.com.

1 Industrial Computing Solutions

2 Embedded Computing Solutions

3 Industrial Data Collector and Controller

4 Video Capture Solutions

5 I/O Communication Solutions

6 Panel Solutions

7 ORing Network Communication

8 Power Supply Peripherals