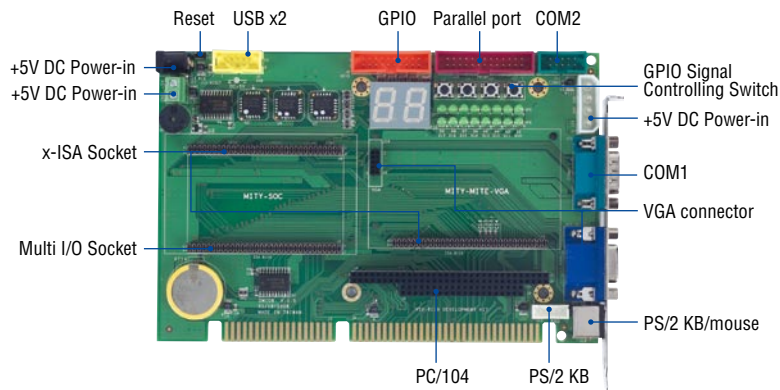
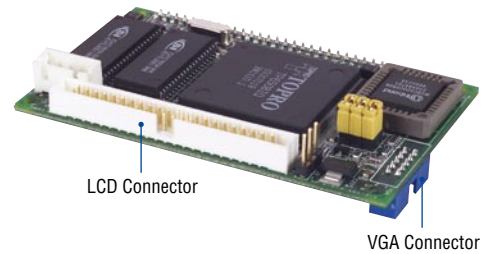


VSX-6119-1



ICOP-6019-VGA



Specifications

Bus	16-bit x-ISA interface PC/104 standard compliant
Status Indicator	Digit Type 7-Segment LED Display for POST Code x2 GPIO LED x16
Connectors	2.54mm 26-pin box header for Printer x1 2.54mm 20-pin box header for 16-bit GPIO x1 2.54mm 10-pin box header for RS-232 x1 2.54mm 5-pin box header for Keyboard x1 2.54mm 2-pin header for Reset x1 32-pin DIP socket for DOC x1 External 15-pin D-Sub female connector for VGA External 9-pin D-Sub male connector for RS-232 x1 External Mini DIN connector for Keyboard/Mouse x1 4-pin Molex connector for Power input x1 2-pin Terminal strip for Power input x1 DC Jack for Power input x1
Power Requirement	Single Voltage +5V @ 150mA
Dimension	185 X 122mm (7.28 x 4.8 inches)
Weight	172g
Operating Temperature	-40°C ~ +85°C

Packing List

- VSX-6119-1
- CD for User's Manual & Driver x1
- Cable
RS-232 (2.54) x1
Printer (2.54) x1
GPIO (2.54) x1
YKB x1

Specifications

Chipset	TOPRO TP6508IQ VGA and Mono/STN/DSTN/TFT Flat Panel interface support
Bus	16-bit x-ISA interface
VGA Memory	Onboard 1MB EDO RAM, support resolution up to 1024 x 768, 256 colors
Connectors	2.0mm 44-pin box header for LCD x1 2.0mm 10-pin box header for VGA x1 2.54mm 4-pin wafer for +12V, -12V, -5V DC-in x1
Power Requirement	Single Voltage +5V @ 200mA
Weight	32g
Board Size	80 X 50mm (3.14 x 1.96 inches)
Operating Temperature	-20°C ~ +60°C

Packing List

- ICOP-6019-VGA x1

Ordering Information

- **VSX-6119-1** Mity-SoC Development Board
- **ICOP-6019-VGA** Mity-SoC VGA/LCD Development Kit

Mity-SoC Development Kit

