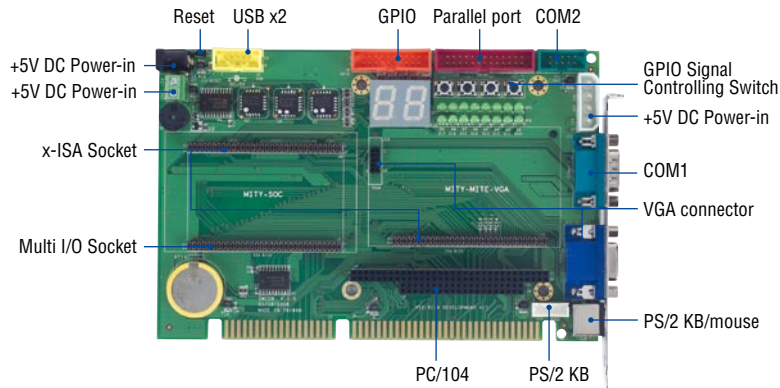
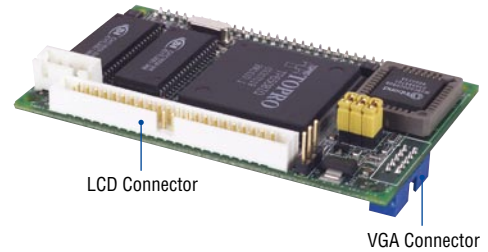


### VSX-6119-1



### ICOP-6019-VGA



### Specifications

<b>Bus</b>	16-bit x-ISA interface PC/104 standard compliant
<b>Status Indicator</b>	Digit Type 7-Segment LED Display for POST Code x2 GPIO LED x16
<b>Connectors</b>	2.54mm 26-pin box header for Printer x1 2.54mm 20-pin box header for 16-bit GPIO x1 2.54mm 10-pin box header for RS-232 x1 2.54mm 5-pin box header for Keyboard x1 2.54mm 2-pin header for Reset x1 32-pin DIP socket for DOC x1 External 15-pin D-Sub female connector for VGA External 9-pin D-Sub male connector for RS-232 x1 External Mini DIN connector for Keyboard/Mouse x1 4-pin Molex connector for Power input x1 2-pin Terminal strip for Power input x1 DC Jack for Power input x1
<b>Power Requirement</b>	Single Voltage +5V @ 150mA
<b>Dimension</b>	185 X 122mm (7.28 x 4.8 inches)
<b>Weight</b>	172g
<b>Operating Temperature</b>	-40°C ~ +85°C

### Packing List

- VSX-6119-1
- CD for User's Manual & Driver x1
- Cable  
 RS-232 (2.54) x1  
 Printer (2.54) x1  
 GPIO (2.54) x1  
 YKB x1

### Specifications

<b>Chipset</b>	TOPRO TP6508IQ VGA and Mono/STN/DSTN/TFT Flat Panel interface support
<b>Bus</b>	16-bit x-ISA interface
<b>VGA Memory</b>	Onboard 1MB EDO RAM, support resolution up to 1024 x 768, 256 colors
<b>Connectors</b>	2.0mm 44-pin box header for LCD x1 2.0mm 10-pin box header for VGA x1 2.54mm 4-pin wafer for +12V, -12V, -5V DC-in x1
<b>Power Requirement</b>	Single Voltage +5V @ 200mA
<b>Weight</b>	32g
<b>Board Size</b>	80 X 50mm (3.14 x 1.96 inches)
<b>Operating Temperature</b>	-20°C ~ +60°C

### Packing List

- ICOP-6019-VGA x1

### Ordering Information

- **VSX-6119-1** Mity-SoC Development Board
- **ICOP-6019-VGA** Mity-SoC VGA/LCD Development Kit

### Mity-SoC Development Kit

