

# EBC-3200

Embedded Chassis for IEI Single Voltage Mini-ITX SBC

**New**



## Features

- ◆ Design for Mini-ITX SBC with single voltage input
- ◆ Flexible storage with CF or 2.5" HDD (optional)
- ◆ One PCI or PCIe expansion slot (optional)



## Flexible design with five optional module for storage and expansion slot



### Flexible storage by Optional module

2 x internal 2.5" HDD (Default)



1 x internal 2.5" HDD  
1 x CF slot



1 x Expansion slot (PCI/PCIe)  
1 x internal 2.5" HDD



1 x Expansion slot (PCI/PCIe)  
1 x CF slot

## Specifications

<b>SBC Form Factor</b>	Mini-ITX SBC (Single Voltage input)
<b>Cooling Fans</b>	2 x 4cm
<b>Storage</b>	2 x 2.5" HDD (Default) or support by optional module
<b>Indicates</b>	Power, HDD LED
<b>Buttons</b>	Power switch, reset
<b>Expansions</b>	1 x Low Profile PCI / PCIe (support by Optional module) Max Dimension: 147mm (L) x 10.5mm (D)
<b>Color</b>	Black
<b>Dimensions</b>	260mm(W) x 180mm(D) x 55 mm (H)
<b>Weight (Net/Gross)</b>	1.1KG/2KG
<b>Operating temperature</b>	-10°C ~ 50°C with air flow*
<b>Mounting</b>	Desktop, wall mount, VESA mount

(\*Ambient air speed pre IEC-68-2-2 standard)

## Compatible SBC

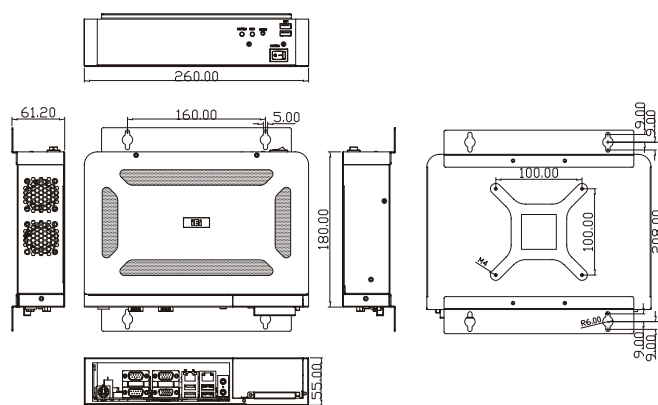
Part No.	Expansion Type (optional)	CPU Cooler
KINO-945GSE2	PCI	Fanless
eKINO-945GSE	PCI	Fanless
KINO-780EB	PCI	On Board CPU Fan
KINO-GM45A	PCI	CF-479B-RS
KINO-QM57A	PCIe x16	CF-989A-RS-R11
KINO-PVN-D5251	PCI or PCIe x1	On board CPU Fan
KINO-PV-D5252	PCI or PCIe x1	Fanless
KINO-HM551	PCIe x16	CF-989A-RS-R11

## Ordering Information

Part No.	Description
EBC-3200-R10	Mini-ITX embedded chassis, compatible two 2.5" HDD, w/o power adapter, Black, RoHS
63000-FSP060DBAB1554-RS	Power Adapter; FSP060-DBAB1554; VAC:90V~264V; 12V/5A; 60W; DIN 4 PIN/WITH LOCK; 1800MM; FSP; RoHS
32000-000002-RS	European Standard Power cord, 1830mm
32000-000025-RS	American Standard Power cord, 1830mm

Optional module	
Part No.	Description
EBCKIT-01-R10/PCI-HDD	EBC-3200 optional module with 1 x PCI slot and 1 x 2.5" HDD, RoHS
EBCKIT-02-R10/PCIe-HDD	EBC-3200 optional module with 1 x PCIe x1 slot and 1 x 2.5" HDD, RoHS
EBCKIT-03-R10/PCI-CF	EBC-3200 optional module with 1 x PCI slot and 1 x CompactFlash® slot, RoHS
EBCKIT-04-R10/PCIe-CF	EBC-3200 optional module with 1 x PCIe x1 slot and 1 x CompactFlash® slot, RoHS
EBCKIT-05-R10/CF-HDD	EBC-3200 optional module with 1 x CompactFlash® slot and 1 x 2.5" HDD, RoHS
EBCKIT-06-R10/PCIe16-HDD	EBC-3200 optional module with 1 x PCIe x16 slot and 1 x 2.5" HDD, RoHS
EBCKIT-07-R10/PCIe16-CF	EBC-3200 optional module with 1 x PCIe x16 slot and 1 x CompactFlash® slot, RoHS

## Dimensions (Unit: mm)



## Packing List

1 x QIG	1 x screw set
2 x wall mount brackets	1 x driver CD
1 x Power cord	

1 Industrial Computing Solutions

2 Video Capture Solutions

3 Embedded Computing Solutions

4 Industrial Data Collector and Controller

5 Panel Solutions Introduction

6 ORing Network Communication

7 Power Supply/Peripherals