

10.4" Industrial Panel PC

**PPC-2710GS-LX800**

AMD Geode LX800 500MHz Processor



**PPC-3710A-N270**

Intel® Atom™ N270 Processor



**PPC-3710GS-945**

Intel® Core™2 Duo Processor with Intel® 945GM Platform



Specifications

Features

1. 10.4" 400nits high brightness TFT LCD with LED Backlight
2. Dual Ethernet provides continuous network service and allows sharing among different workgroups in two different subnets
3. One internal 2.5" SATA HDD and CF slot
4. Robust aluminum front bezel and metal casing compliant front panel
5. IEI One Key Recovery solution allows you to create rapid OS backup and recovery (Suggest over 4GB storage capacity)



Model		PPC-2710GS-LX800	PPC-3710A-N270	PPC-3710GS-945
Display	LCD Size	10.4 "		
	Max Resolution	800(W) x 600(H)		
	Brightness (cd/m <sup>2</sup> )	400		
	Contrast Ratio	700:1		
	LCD Color	262K		
	Pixel Pitch (mm) (HxV)	0.264(H) x 0.264(V)		
	Viewing Angle (V/H)	140°/160°		
	Backlight MTBF (hrs)	50000 (LED Backlight)		
Motherboard	SBC	AFLMB-LX-800	NANO-945GSE-N270	NANO-9452
	CPU	AMD Geode LX800 500MHz processor	Intel® Atom process N270 1.6GHz CPU	Socket M Intel® Core™2 Duo, Core Duo, Core Solo with 667MHz FSB Intel® Celeron® M 533MHz FSB
	Chipset	AMD Geode LX800 + AMD CS5536	Intel® 945GSE + ICH7M	Intel® 945GME + ICH7M
	RAM	1 x 200-pin SO-DIMM socket, supporting DDR 333/400MHz modules for up to 1GB	1 x 200-pin SO-DIMM socket, supporting DDR2 533MHz modules for up to 2GB	1 x 200-pin SO-DIMM socket, supporting DDR2 400/533/667MHz modules for up to 2GB
I/O Ports and Switches		2 x RS-232 2 x RJ-45 for 10/100Mbps LAN 2 x USB 2.0 1 x VGA Port Line-out 1 x PS/2 mouse and keyboard interface 1 x 12VDC input Power Jack 1 x Power Switch 1 x Reset Button	2 x RS-232 1 x RS-232 ( Alternative to RS-422/485) 2 x RJ-45 for LAN Port 2 x USB 2.0 1 x VGA Port Line-in, Line-out, MIC-in 1 x PS/2 mouse and keyboard interface 1 x 12VDC input Power Jack 1 x Power Switch	2 x RS-232 1 x RS-232 ( Alternative to RS-422/485) 2 x RJ-45 for LAN Port 2 x USB 2.0 1 x VGA Port Line-in, Line-out, MIC-in 1 x PS/2 mouse and keyboard interface 1 x 12VDC input Power Jack 1 x Power Switch
Drive Bay	HDD Driver Bay	1 x 2.5" IDE HDD Bay	1 x 2.5" SATA HDD Bay	
	SSD		CF Type II	
Expansion Slot		1 x Mini PCI card	1 x PCIe mini card	1 x PCIe mini card
Physical	Construction Front Panel	Aluminum Die-casting		
	Construction Chasis	Heavy-duty Steel (SECC)		
	Mounting	Panel, Wall, Rack, Stand and Arm VESA 100mm x 100mm		
	Front Panel Color	Silver (Pantone 8001C)		
	Dimensions (WxHxD) (mm)	311.5 x 242 x 57	311.5 x 242 x 77.8	311.5 x 242 x 77.8
	Cut Out Dimensions (WxH) (mm)	291 x 221	291 x 221	291 x 221
	Net /Gross Weight	2.8 Kg / 5.5 Kg	3.4 Kg / 5.8 Kg	3.4 Kg / 5.8 Kg
System Cooling	Fanless	Fanless	Active with Fan	
Environment	Operation Temperature	-10°C~50°C		
	Storage Temperature	-20°C~60°C		
	Vibration	5~17Hz, 0.1 double amplitude displacement 17~640Hz 1.5G acceleration peak to peak		
	Shock	10G acceleration part to part (11ms)		
Touch Screen	Resistive Type 5-Wire with RS-232 interface			
Power	Power Adapter	P/N: 663000-FSP050DBAB1405-RS 50W Power Adapter Input: 90VAC~264VAC, 50/60Hz Output: 12VDC	P/N: 63000-FSP060DBAB1554-RS 60W Power Adapter Input: 90VAC~264VAC, 50/60Hz Output: 12VDC	P/N: 63000-FSP084DMBA1308-RS 84W Power Adapter Input: 90VAC~264VAC,50/60Hz Output: 12VDC

## 802.11 b/g/n Wireless LAN Module

The PPC 37 series are equipped with a high speed wireless module that enables larger data transmission in real time. The wireless LAN facilitates applications that require data transmission over large distances, such as in a large warehouse. (By Project Base)

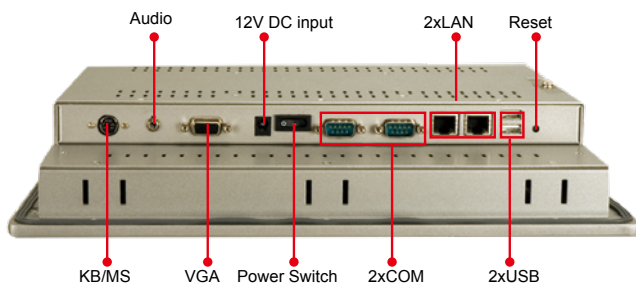
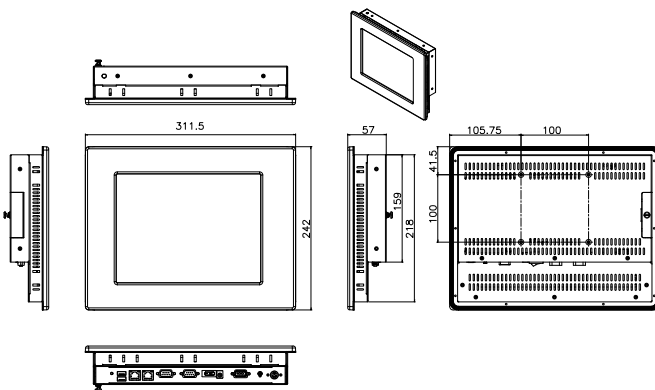


## Fanless System

The PPC-2710G and PPC-3710A are designed with an low power consumption platform with Intel® N270 and AMD LX-800 platform. The fanless system generates less heat but maintains an above-average performance enabling a fanless design. A fanless design reduces the failure caused by fans and extends the operation life of the device.

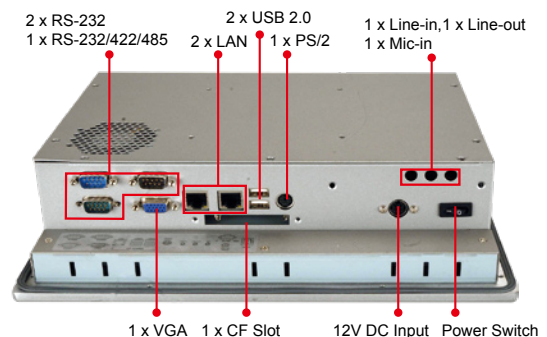
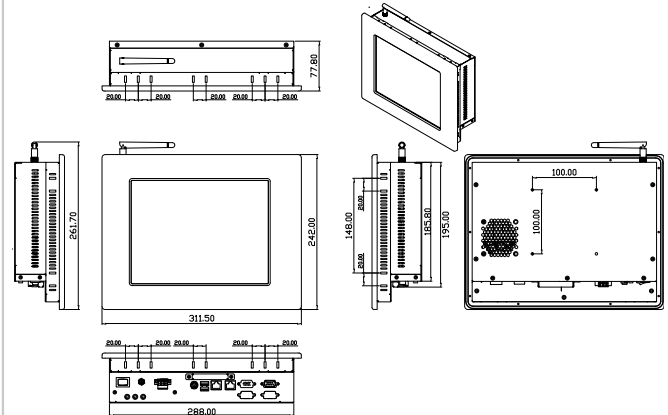
### PPC-2710GS

Dimensions (Unit: mm)



### PPC-3710A / PPC-3710GS

Dimensions (Unit: mm)



## Packing List

Item	Part No.	Description
Screw Kit	19600-000205-RS	
Power Cord	32702-000200-100-RS	
Power Adapter	663000-FSP050DBAB1405-RS	50W, 90VAC~264VAC for PPC-3710A-N270, PPC-2710GS-LX
	63000-FSP060DBAB1554-RS	60W, 90VAC~264VAC for PPC-3710GS-945 BGA Type
	63000-FSP084DMBA1308-RS	84W, 90VAC~264VAC for PPC-3710GS-945 Socket Type
PS/2 Cable	32006-000300-100-RS	1 x MINI DIN 6PIN MALE; 2 x MINI DIN 6PIN FEMALE
Panel Mounting Kits	19Z00-000026-RS	
Wall Mounting Kit	41014-057602-00-RS	ULTRA SET PLATE
	41020-016102-00-RS	WALL MOUNT BRACKET
IEI One Key Recovery CD	IEI-7B000-000478-RS	
Touch Screen Driver CD / Touch Pen		
User Manual & Driver CD	IEI-7B000-000519-RS	FOR PPC-27xxG-LX SERIES
	IEI-7B000-000520-RS	FOR PPC-37xxG-945, PPC-37xxA-N270 SERIES

## IQ Mounting Options

Item	Part No.
Rack Mount Kit	RK-104MS-R10
ARM	ARM-11-RS
STAND	STAND-100-RS

## Options

Item	Part No.	Description
RS-422/485 Cable	32200-074600-RS	(A) D-SUB 9PIN MALE (B) DU PONT 2*7P P=2.0 FEMALE

## Ordering Information

Part No.	Description
AMD LX800	PPC-2710GS-LX/R/256M-R20 10.4" 400 cd/m² SVGA TFT Panel PC with AFLMB-LX-800, Silver Color & Touch Screen, 256MB RAM, R20, RoHS
Intel® N270	PPC-3710A-N270/R/1G-R20 10.4" 400 cd/m² SVGA TFT Fanless Panel PC, Intel Atom N270 1.6GHz/ 512KB, 1GB DDR2, Res T/S, Silver Color, R20, RoHS
Intel® 945GME	PPC-3710GS-945-C4/R/1G-R30 10.4" 400 cd/m² SVGA TFT Panel PC with NANO-9452, C-M 1.86GHz, Silver color, T/S, 1GB DDR2 RAM, R30, RoHS
	PPC-3710GS-945-T5/R/1G-R30 10.4" 400 cd/m² SVGA TFT Panel PC with NANO-9452, Intel Core Duo 1.66GHz T5500, Silver color, T/S, 1GB DDR2 RAM, R30, RoHS