



## Features

- Fanless Industry Embedded platform
- Intel® Dual-core D510 1.6 GHz Processor
- Intel® ICH 8-M South Bridge Chipset
- DDR-2 667 MHz, On board 512MB + SODIMM, up to 2 GB w/o ECC
- 1 Mini PCI, 1 Mini PCI-E & 2 PCI-32 expansion slot
- Support 2 Giga LAN, SATA HDD
- Total 21 D-IN & 20 D-OUT w/ isolation
- Support LCM module with 20\*2 characters
- DC 9V ~ 30V power input

## Cable-Free

## Specifications

### Fanless Platform

- Low power, low operation temperature
- Fanless Aluminum Alloy Embedded System

### Dimension

- 208 (W) x 115 (H) x 230 (D) mm, Compact size

### Processor

- Support Intel® Atom Dual-core D510 1.6 GHz low power Processor

- 512KB L2 Cache, support 64 bit, HT, XD technology
- Built-in media grade high performance Graphic engine

### Chipset

- Intel® ICH 8-M South Bridge Chipset

### Memory

- On board 512MB + 1 SODIMM Socket, up to 2 GB w/o ECC, 667 MHz DDR 2 Memory

### BIOS

- Phoenix BIOS
- Support Console Redirection & Power On After Power failure

### Disk Drive Storage

- 1 channel SATA interface + 1 internal CF module slot

### Expansion

- 1 Mini PCI + 1 Mini PCI-E + 2 PCI-32 expansion slot

### Ethernet

- 2 Realtek 8111 100/1000 Mbps LAN interface with Wake-On-LAN & DMI

### Watchdog Timer

- Programmable WDT from 1 to 255 seconds

### Display Function

- Support high resolution 2048 x 1536 VGA display

### Hardware Monitor

- monitors Voltage & Temperature

### Support RTC & CMOS RAM

- Support Real Time Clock feature
- 256 bytes CMOS RAM built-in chipset

### Audio

- ALC662-GR Codec supports Speaker-out

### Super I/O

- ITE 8712 & Fintek 81216 Super I/O for KB, MS, COM, Thermal monitor, Voltage monitor

### Extra Support RS-422/485 w/ Isolation Protection

- Signal w/ 2500 Vrms isolation protection (1 sec)
- 5V Power w/ 3000V DC isolation protection
- External jumper wire Enable/Disable Termination Resistor

### RS-232 / 485 Support

- 1 DB-9 RS-232/485, 1 DB-9 RS-232 w/ optional DC output

### Support Digital I/O w/ Isolation Protection

- 21 D-In, supports Dry / Wet contact, low level 0~3V, High level 10 ~ 50V. 2500V isolation protection
- 20 D-Out, 500 mA drive capability. 2500V isolation protection

### Front Panel Extend I/O

- 2 LED, Power switch & Reset
- 4 DIN connector for 18 channels D-IN & 18 channels D-OUT
- 1 LCM module with 20\*2 characters, 4 function keys

### Rear Panel Extend I/O

- Screw-Lock DC 9 ~ 30V power input, 3-pin connector
- 1 DB-9 for RS-232 / 485, 1 DB-9 for RS-232
- 2 DIN connector for 2 isolation RS-422/485
- 1 DIN connector for 3 D-in + 2 D-out with isolation protection
- 2 USB, 2 RJ-45 100/1000 Mbit LAN connector
- 1 Speaker out connector, 1 DB-15 for VGA
- Power LED + HDD LED, 1 Power button

### Internal I/O Interface

- 1 Mini PCI + 1 Mini PCI-E expansion slot
- 1 CF slot, 2 SATA storage interface
- Total up to 4 D-In, 4 D-Out internal connector
- 1 Audio pin header
- 1 x 18-bit LVDS connector

### Power Supply

- DC: 9V~30V / 1.5~5 A input

### Power ON/OFF Mode

- AT or ATX Power ON/OFF mode

### Environment

- Operation temperature: -20°C ~ 50°C
- Storage temperature: -40°C ~ 80°C
- Relative humidity: 10% ~ 90% (Non-condensing)

### Certification

- CE Class A
- FCC Class A

## Ordering Guide

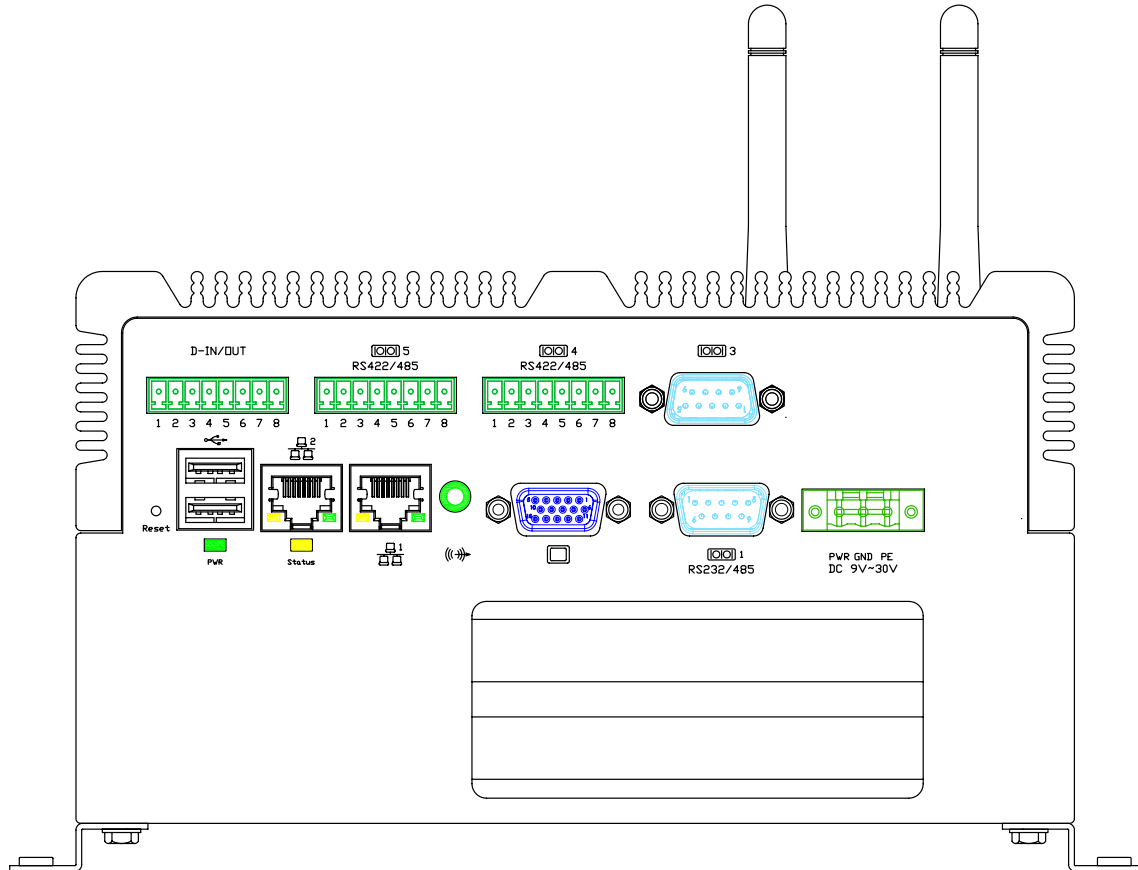
Specifications subject to change without notice

Ordering No.	CPU	Memory	LAN / USB / CF	DB-9 RS-232/485	Isolation RS-422/485	Isolation D-I/O
Pipal 2132DL-835	D510 Dual-core 1.6GHz	512MB	2 GE/2 USB/1 CF	232/485 x1, 232 x1	2	21 D-IN , 20 D-OUT

### Optional order :

- 60W / 120W Power Adapter , HDD , SODIMM Memory
- Wireless LAN Module , Anti-Vibration HDD drive bay

## Pipal 2132DL rear I/O



Dimension: without mounting kit 208 W x 115 H x 230 D mm  
 with mounting kit 235.6 W x 125 H x 230 D mm

## Pipal 2132DL front I/O

