



Features

- 12.1" TFT LCD with plastic back shell design
- Anti-Vibration HDD design, easy access
- Expansion PC104+ slot available
- Flat front bezel IP65, truly fanless design
- Digital input (4bits) / output (4bits)
- Easy access storage device - HDD, CF



Introduction

APP-126 designed with 12.1" industrial grade LED backlight LCD display and high sensitive resistive touch, and provide front panel IP65 water proof protection. Truly fanless design for industrial HMI application. Easy access HDD and CF design and embedded PC104+ interface expansion are more flexible in integration. Support MS XP/XPe.

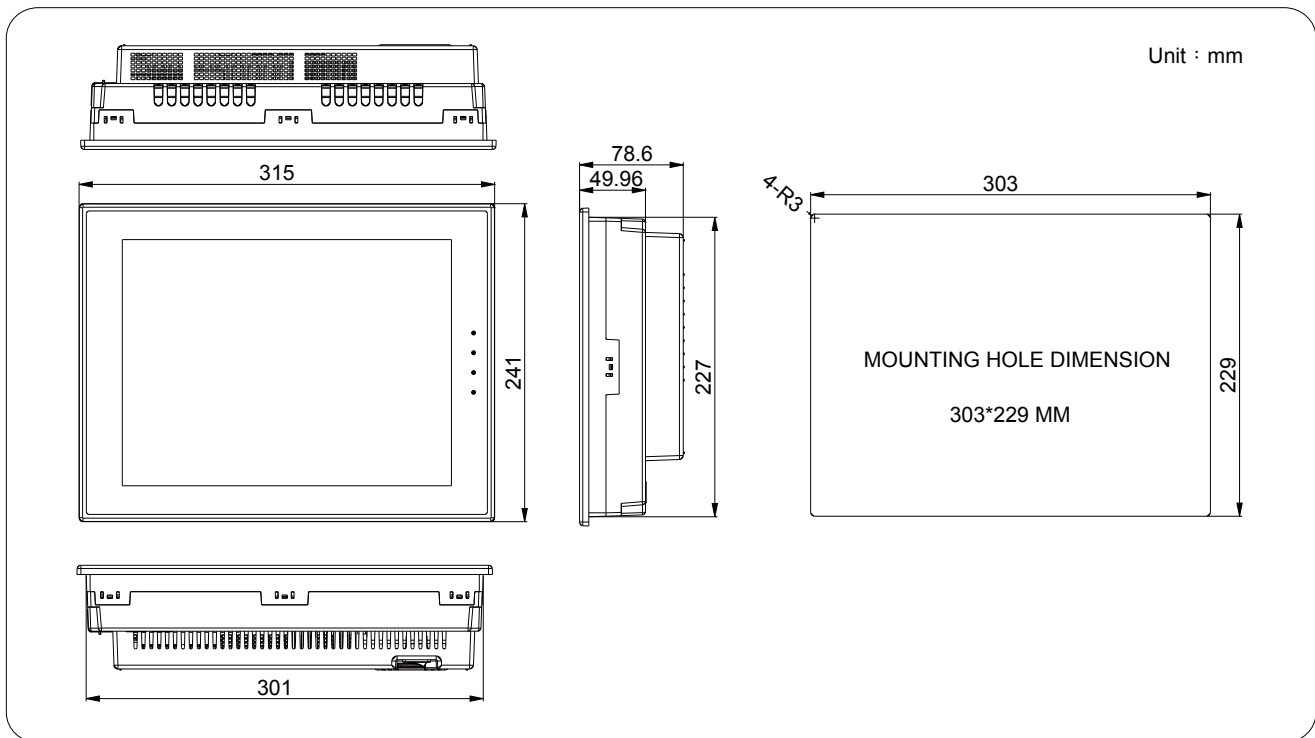
Specifications

System	CPU	Intel Atom Processor N270 (512K Cache, 1.60GHz, 533 MHz FSB)	
	Chipset	Mobile Intel 945GSE + ICH7M	
	Memory	1 x 200pin SO-DIMM DDR2 533MHz supports up to 2GB	
	Bios	8Mbit SPI (Award BIOS)	
	Storage	1 x Internal 2.5" SATA HDD interface	
		1 x 44 pin IDE port (Primary IDE)	
		1 x Compact Flash slot (Master / Slave select by jumper)	
	Bus Expansion	1 x PC104+ slot	
		1 x Mini PCIe slot (Optional)	
	Dimension	315 (W) x 241(H) x 78 (D) mm	
Weight	3.1 kg		
OS Support	Microsoft Windows XP Pro Embedded, XP Embedded supported		
Industrial Grade Display	Display Type	12.1" TFT LCD	
	Max Resolution	1024 x 768 pixels	
	Colors	262, 144	
	Luminance	500 cd/m ²	
	Contrast Ratio	700 : 1	
Viewing Angel(CR=10)	80° (left), 80° (right), 80° (up), 80° (down)		
Touch Screen	Touch Screen Type	5-wire Analog resistive type	
I/O Interface	Serial	2 x RS-232, 1 x RS-232/422/485 (COM2)	
	USB	2 x USB 2.0	
	Audio	1 x Speaker-out, Mic	
	VGA	1 x D-SUB15	
	Ethernet	2 x Intel 10/100/1000 LAN RJ-45 connector	
	KB/MS	1 x PS/2 Keyboard, Mouse	
	Digital	1 x Digital I/O DB9 connector (4 in / 4 out)	
Power	DC Input Voltage	24V DC/DC input (19~24V margin)	
Environment	Temperature	Operating : 0°C ~ 45°C / Storage : -20°C ~ 60°C	
	Humidity	5% ~ 90% RH, non-condensing	
	Certifications	CE, FCC Class B, VCCI	
	Protection Class	IP65 front bezel	

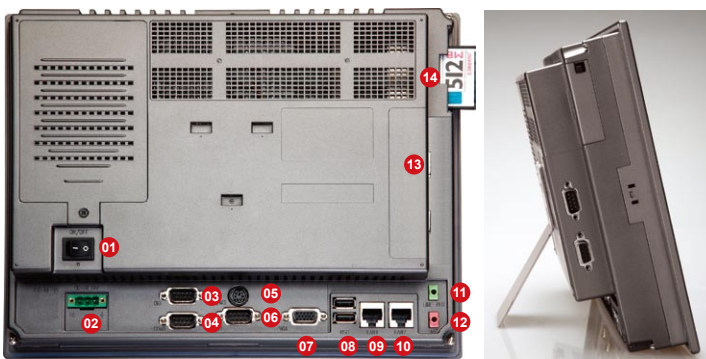
Specifications

Environment	Sine Vibration	10 to 500 Hz Amplitude : 0.5G Peak for Sweep / 1.5G Peak for Dwell (Non-Operating)
	Functional Shock	40G, 11ms (Non-Operating)
	Random Vibration	MIL-STD-810G Method 514.6 Category 4, Fig 514.6C-1 (Operating) MIL-STD-810G Method 514.6 Category 4, Fig 514.6C-3 (Non-Operating)

Dimensions



I/O Diagram



- 01 Power Switch
- 02 DC-in
- 03 Digital I/O
- 04 RS-232
- 05 PS/2 KB & MS
- 06 RS-232/422/485
- 07 VGA
- 08 USB ports
- 09 Ethernet 1
- 10 Ethernet 2
- 11 Line-out
- 12 MIC-in
- 13 PC 104 + slot for expansion
- 14 CF slot

Options

DRAM	533MHz DDRII memory module (2GB)
HDD	2.5" SATA 160GB HDD
OS Support	Win XP Pro Embedded Win XP Embedded

Ordering Information

Part No.	Description
APP-126-R00	12.1" Panel Computer w/Intel ATOM N270 platform, resistive T/S, 1GB RAM

Packing List

Description	Quantity
DC input terminal block	1
PS/2 cable for KB/MS	1
Metal Stand	1
Fastener	8
Quick Setup Guide	1
Utility CD	1