



Features

- New Intel Atom N450 CPU with Intel 5 years long term platform support
- Rugged aluminum extrusion / die-casting chassis
- Fanless with 7/24 design
- Dual Gigabit Ethernet & WiFi supports
- 4 x USB, 6 x RS-232 supports
- Windows CE / Windows XP Embedded OS image ready



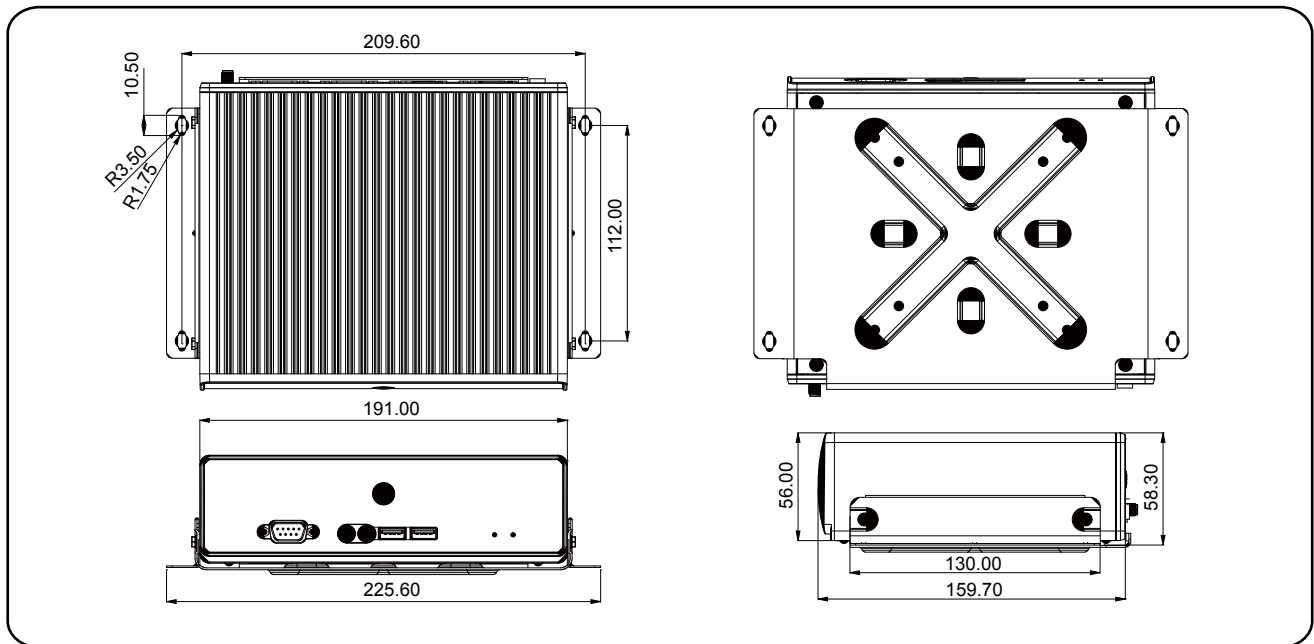
Introduction

New generation ATOM platform fanless system with WiFi & Multi-COM supports.

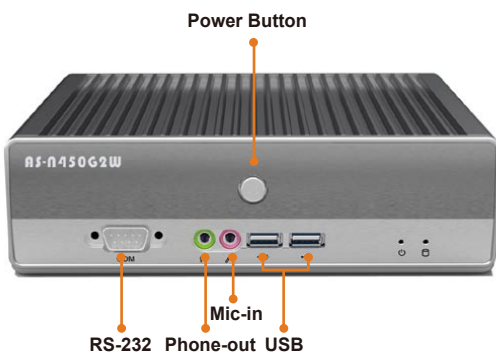
Specifications

System	CPU	Intel Atom N450 1.66GHz
	Chipset	ICH8M
	Memory	1 x SO-DIMM supports DDR2-667 MHz
	Storage	1 x 2.5" SATA HDD / SSD
		1 x CF type I/II socket
	Chassis	Aluminum fanless
	Mounting	Wall mount, VESA mount (Optional)
	Dimensions	191 (W) x 160(D) x 55 (H) mm
OS Support	Windows CE, Windows XP Embedded ready	
I/O Interface	Serial	6 x RS-232
	USB	4 x USB 2.0 (2 in front, 2 in rear panel)
	Audio	1 x Phone-out, Mic-in
	VGA	1 x D-SUB15
	Ethernet	2 x 10/100/1000 Ethernet RJ-45
	Wireless	Support 802.11 b/g/n, with external antenna
	LED Indicators	Power, HDD
	PS/2	1 x PS/2 for mouse and keyboard
Power	Power Input	DC 12V
	Adapter	40W AC adapter included
Environment	Operating Temperature	0°C ~ 50°C with SSD / CF
		0°C ~ 40°C with HDD
	Humidity	95% (Non-condensing)
	Shock Resistance	50G @ wall mount half sine 11ms with CF
		20G @ wall mount half sine 11ms with HDD
	Vibration Resistance	2 Grms @ 5~500 Hz with CF
0.5Grms @ 5~500 Hz with HDD		
Certifications	CE, FCC	

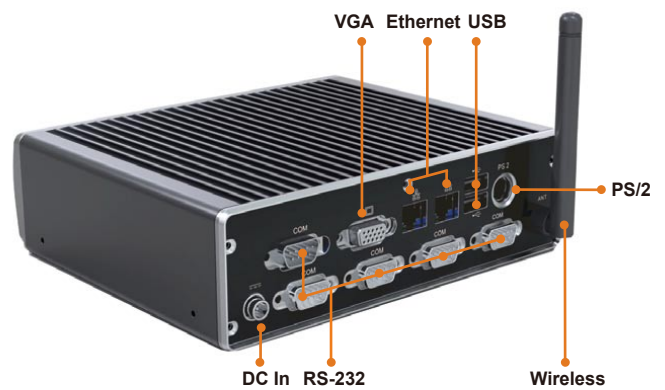
Dimensions



Front I/O Diagram



Rear I/O Diagram



Ordering Information

Part No.	Description
AS-N450G2W	Intel ATOM fanless embedded computer w/ Dual GbE, 6 x serial, VGA, 4 x USB, WiFi and Audio

Packing List

Description	Quantity
AC power adapter	1
Wall mounting brackets	1
Quick Setup Guide	1
Utility CD	1