



Features

- On-board Intel® Atom 1.6GHz CPU with Intel 5 years long term platform support
- Rugged aluminum extrusion / die-casting chassis
- Fanless with 7/24 design
- Dual Gigabit Ethernet support
- Windows CE / Windows XP Embedded OS image ready



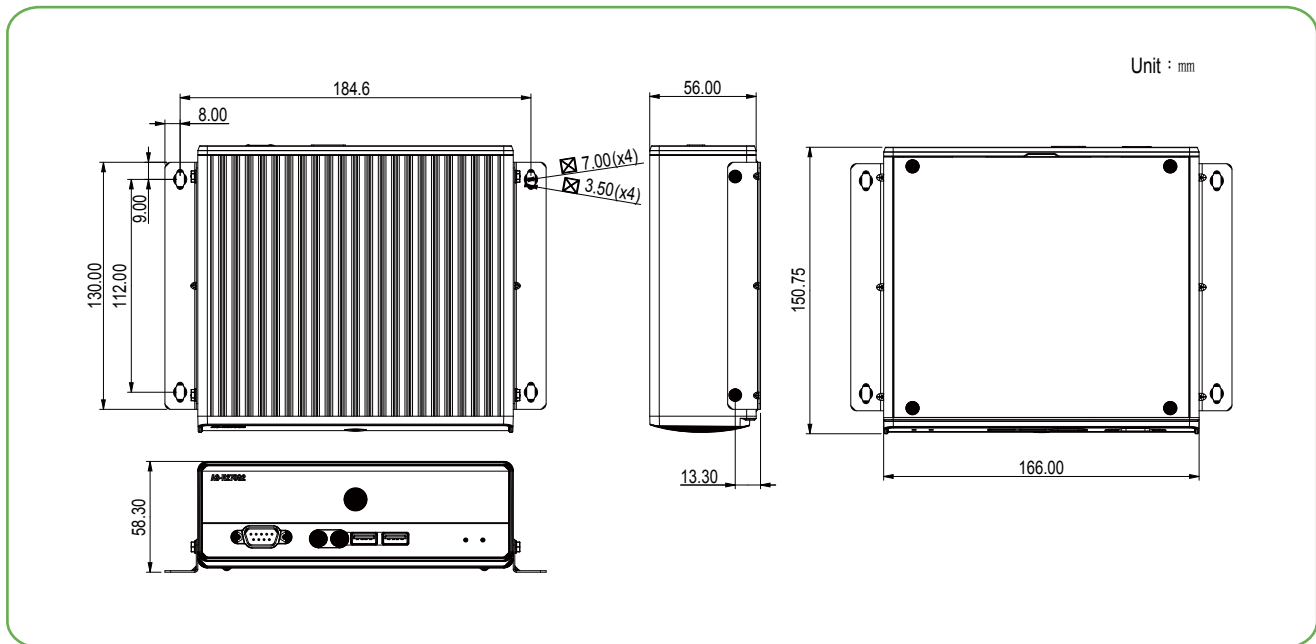
Introduction

The most reliable fanless system powered by Intel® Atom processor and Intel® 945GSE chipset, the AS-N270G2 maximizes its power and ultra compact form factor design and provide stability and flexibility for versatile industrial application.

Specifications

System	CPU	Intel Atom N270 1.6GHz
	Chipset	Intel 945GSE + ICH7M
	Memory	1 x SO-DIMM, supports DDR2-533/667 MHz
	Storage	1 x 2.5" SATA HDD / SSD
		1 x CF type I/II socket
	Chassis	Aluminum fanless
	Mounting	Wall mount, VESA mount (Optional)
	Dimensions	166 (W) x 147(D) x 56 (H) mm
OS Support	Windows CE, Windows XP Embedded supported	
I/O Interface	Serial	2 x RS-232
	USB	4 x USB 2.0 (2 in front, 2 in rear panel)
	Audio	1 x Phone-out, Mic-in
	VGA	1 x D-SUB15
	Ethernet	2 x 10/100/1000 Ethernet RJ-45
	LED Indicators	Power, HDD
Power	Power Input	DC 12V
	Adapter	40W AC adapter included
Environment	Operating Temperature	0°C ~ 50°C with SSD / CF
		0°C ~ 40°C with HDD
	Humidity	95% (Non-condensing)
	Shock Resistance	50G @ wall mount half sine 11ms with CF
		20G @ wall mount half sine 11ms with HDD
	Vibration Resistance	2 Grms @ 5~500 Hz with CF
0.5Grms @ 5~500 Hz with HDD		
Certifications	CE, FCC	

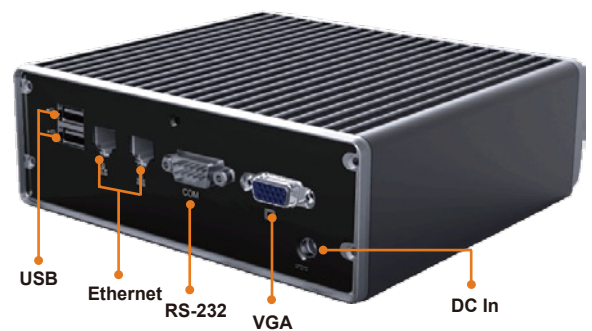
Dimensions



Front I/O Diagram



Rear I/O Diagram



Ordering Information

Part No.	Description
AS-N270G2	Intel ATOM fanless Embedded Computer with Dual GbE, 2 x serial ports, VGA, 4 x USB and Audio

Packing List

Description	Quantity
AC power adapter	1
Wall mounting brackets	1
Quick Setup Guide	1
Utility CD	1