

Cost Efficient Thin Client Solution with Intel® ATOM Processor



Ruggedized aluminum fanless design with Intel® Tunnel Creek translates the system into a reliable and high performance thin client Computer. Brahma, the product is specially suitable for low cost, low maintenance, low noise and low power consumption in a hosted desktops, local virtualized desktops, web-based desktops or terminal services scenario.

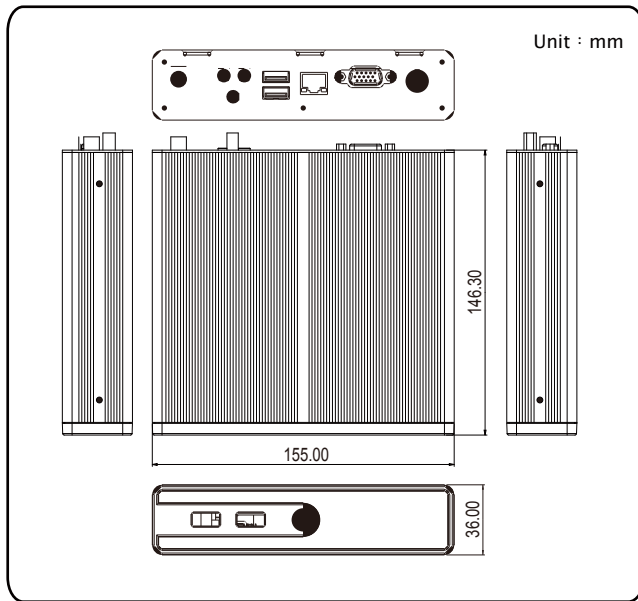
Features

- Intel® Atom™ processor E6XX series
- Fanless and diskless designed
- Ultra low power
- Small space requirement (155x146x36 mm)
- 4 x USB, 1 x 10/100/1000 GbE LAN
- Cost efficient Intel® platform
- Support Microsoft Windows XP/XPE/Windows 7 (E640 upper only)
- VESA mount/DIN mount kit (optional)

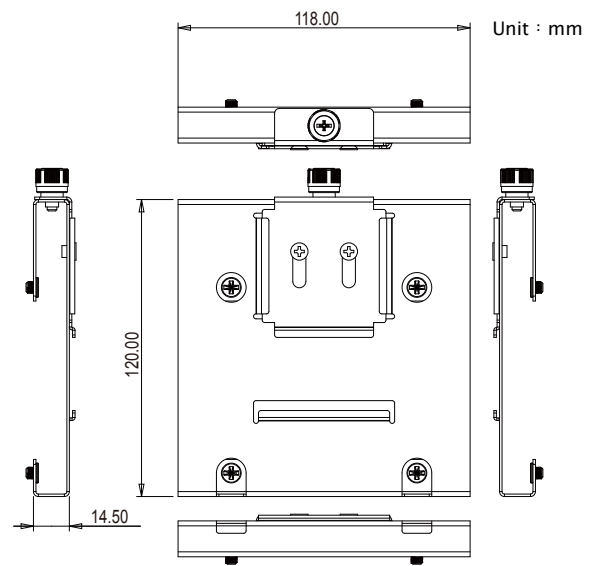
Specifications

System	CPU	Intel E620 600MHz
	Chipset	EG20T
	Memory	Onboard DDR2 667 MHz 1GB
	Storage	Support SATA DOM 1 x SD card socket support SD/SDHC
	Operating System	Windows XP, Windows 7 (only for E640 and upper)
I/O Interface	USB	4 x USB 2.0
	Audio	2 x Audio jack for Mic/Phone-out
	VGA	1 x D-SUB15
	Ethernet	1 x 10/100/1000 Ethernet RJ-45
	Wireless	WiFi 802.11 b/g/n
	LED Indicators	Power, HDD
	PS/2	2 x PS/2 for mouse and keyboard
Mini PCIe		1 x Full/half-size (for WiFi)
Power	Power Input	DC 12V
	Adapter	40W AC adapter included
Mechanical	Chassis	Aluminum fanless
	Mounting	Wall mount, VESA mount
	Dimensions	155(W) x 146(D) x 36(H) mm
Environment	Operating Temperature	0°C ~ 50°C with SSD/SD card
	Humidity	95% (Non-condensing)
	Shock Resistance	50G @ wall mount half sine 11ms with SD
	Vibration Resistance	2 Grms @ 5~500 Hz with SD
	Certifications	CE, FCC, VCCI

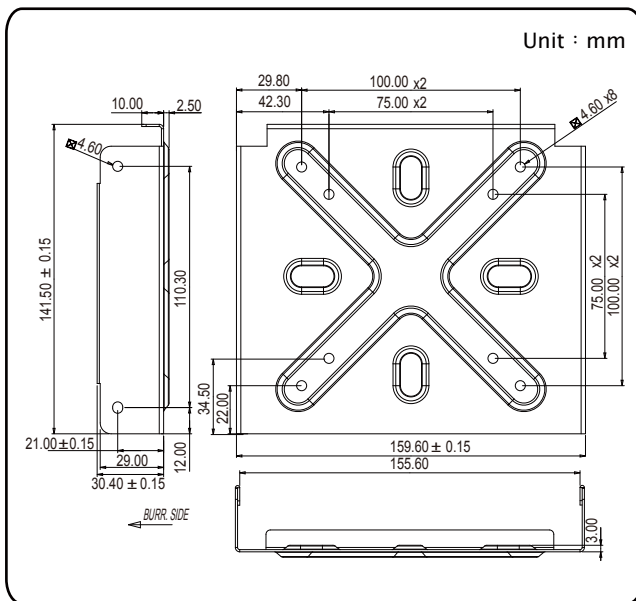
System Dimensions



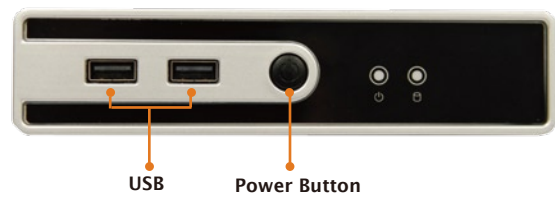
DIN Mount Kit Dimensions



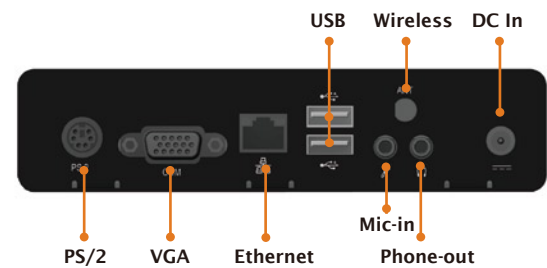
VESA Mount Kit Dimensions



Front I/O Diagram



Rear I/O Diagram



Ordering Information

Part No.	Description
AS-E620GW	Intel Atom fanless embedded computer w/ GbE, VGA, 4 x USB, Wi-Fi and Audio

Options

Item	Description
CPU	E640(1.0GHz)/E660(1.3GHz)/E680(1.6GHz) available
Memory	Onboard 2GB DDR2 memory
VESA Mount Kit	Support VESA 75/100
DIN Mount Kit	One screw easy mount

Packing List

Description	Quantity
AC power adapter	1
Quick Setup Guide	1
Utility CD	1