

10.4"/12.1" Fully IP67 Rugged Panel Computer with Intel® Celeron M Processor



RPP-104M/121M fully rugged Panel Computer is high performance Intel® Celeron M platform. With a thermal design patent, it can reach truly 100% fanless. And the rugged enclosure without ventilation hole can withstand harsh environments. Optional mounting kit, power and wireless module is special designed for vehicle application.

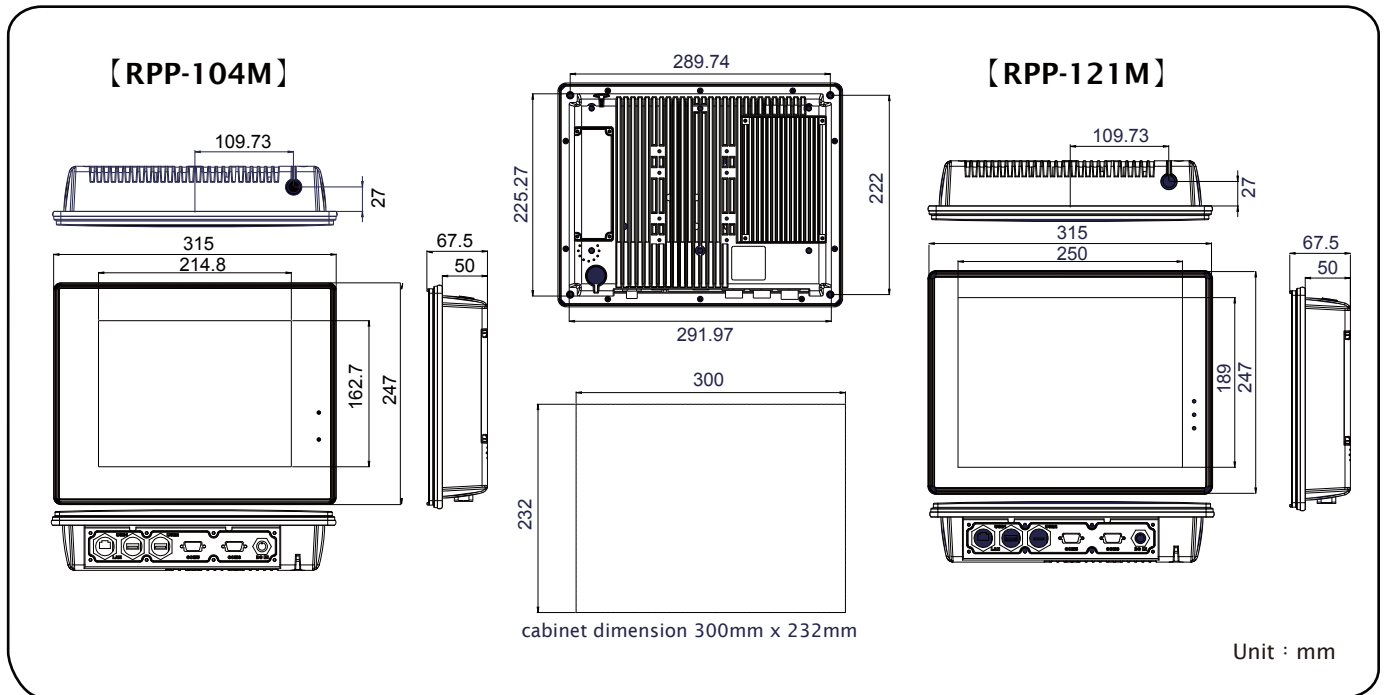
Features

- 10.4"/12.1" TFT LCD with rugged aluminum enclosure and fanless design
- MIL-STD-810G and IP67 certified
- Wide temperature operating capability
- Wide voltage range power input acceptable
- Anti-Vibration HDD design, easy access
- Special mounting kit for vehicle application (option)
- Outdoor viewable (option)
- Stand / cabinet / VESA (option)

Specifications

		RPP-104M	RPP-121M
System	CPU	Intel® Celeron M 1G/512K	
	Chipset	Intel® 910GML + ICH6M	
	Memory	1 x 200-pin DDR2 400/533 SO-DIMM max. up to 2GB	
	Ethernet	Intel 82562EZ 10/100	
	Dimension	315 (W) x 247(H) x 68 (D) mm	
	Weight	5.2 kg	
	OS Support	Windows XP Embedded, Linux (Fedora 2.6), WinCE 6.0	
Industrial Grade Display	Display Type	10.4" TFT LCD	12.1" TFT LCD
	Max. Resolution	800 x 600 pixels	1024 x 768 pixels
	Max. Colors	16.2 M	16.2 M
	Luminance	400 cd/m ²	500 cd/m ²
	Contrast Ratio	700 : 1	700 : 1
Viewing Angel(CR=10)	80°(left), 80°(right), 60°(up), 80°(down)	80°(left), 80°(right), 80°(up), 80°(down)	
Touch Screen	Touch Screen Type	5-wire Analog resistive type	
I/O Interface	Serial	2 x RS-232	
	USB	2 x USB 2.0	
	Audio	1 x AC97 codec with 2W Amplifier (Internal)	
	CF Card Socket	1 (Internal)	
	Ethernet	1 x RJ45 connector for 10/100 base T	
	Mini PCIe Socket	1 (Internal)	
Power	DC Input Voltage	Wide range 12V~24V DC/DC input	
	Temperature	Operating : 0°C~50°C / Storage : -20°C~60°C (w/HDD) Operating : -10°C~60°C / Storage : -30°C~80°C (w/wide temperature SSD)	
Environment	Humidity	5% ~ 95% RH, non-condensing	
	Certifications	CE, FCC, VCCI	
	Protection Class	IP67	
MIL-STD-810G	Shock Method 516.6	Function Sock : 40G's @11ms/Crash Shock : 75G's @ 8~13 ms(Non-Operating)	
	Vibration-General	General Minimum Integrity Exposure, Method 514.6 E-1(Non-Operation)	
	Vibration-Helicopter	Helicopter Minimum Integrity Exposure, Method 514.6 E-2 (Non-Operating)	
	Vibration-Ground Vehicle	Method 514.6 C-1/C-2/C-3 (Operating)	
	High Temperature	Method 501.5, Operating : 65°C / Storage : 80°C	
	Low Temperature	Method 502.5, Operating : -15°C / Storage : -30°C	
	Humidity	Method 507.5, 95% RH	
Thermal Shock	Method 503.5, -30~70°C (Non-Operating)		

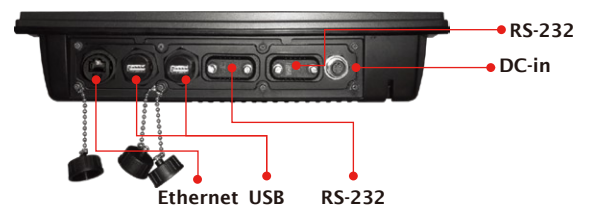
Dimensions



Ordering Information

Part No.	Description
RPP-104M	10.4" Rugged Panel Computer w/resistive touch, 1GB RAM
RPP-104MV	RPP-104M w/power module for vehicle
RPP-121M	12.1" Rugged Panel Computer w/resistive touch, 1GB RAM
RPP-121MV	RPP-121M w/power module for vehicle

I/O Diagram



Options

Item	Description
Wireless	Expansion by Mini PCIe socket
Power Module	Power module(9V~32V) for vehicle
Cables	Waterproof extension cables (2 x Serial,2 x USB,1 x Ethernet) 1.8 meters
Vehicle Mounting Kit	Anti-Vibration mounting bracket for vehicle
Wall Mounting Kit	Wall mounting kit (VESA 75 x 75,100 x 100)
VESA Stand	VESA stand ARM for RPP series
DRAM	Memory module (2GB)
DRAM (WT)	Wide temperature memory module (1GB, 2GB)
SSD	Wide temperature SSD (16GB, 32GB)
HDD	Normal temperature HDD (160GB)
Outdoor Viewable	Optical bonding w/ LR resistive touch
Win XP Embedded	Win XP Embedded operation system

Vehicle Mounting Kit



Packing List

Description	Quantity
Waterproof DC extension cable	1
Utility CD	1
Quick Setup Guide	1
Fastener (Include screws)	4