

Marine Monitor Series

19" / 24" IP66 Marine Monitors

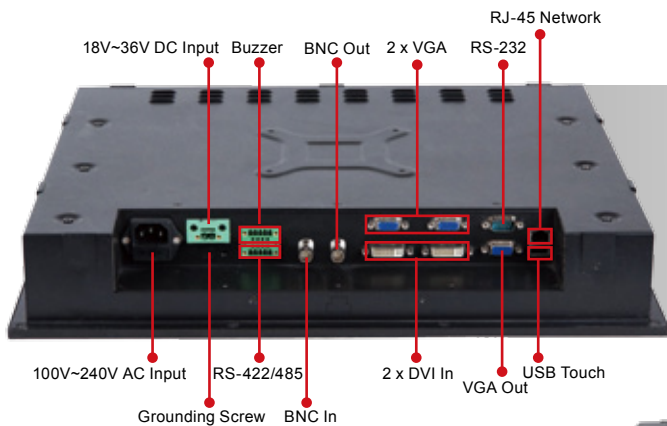
Features

- IP66 Front / IP22 Rear
- -15°C ~ +55°C Wide Temperature and Flat-bezel Projected Capacitive Touchscreen
- Excellent Visual Performance
 - Full OSD function configuration
 - 0%~100% full range dimming
 - 178°/178° wide viewing angles
- Multiple Video Input
 - Two VGA, two DVI, and one BNC
- Multiple Video Output
 - One VGA and one BNC
- Dual Isolated AC/DC Input with Redundant Power Protection
- Remote OSD Settings through LAN, RS-232, RS-422 and RS-485



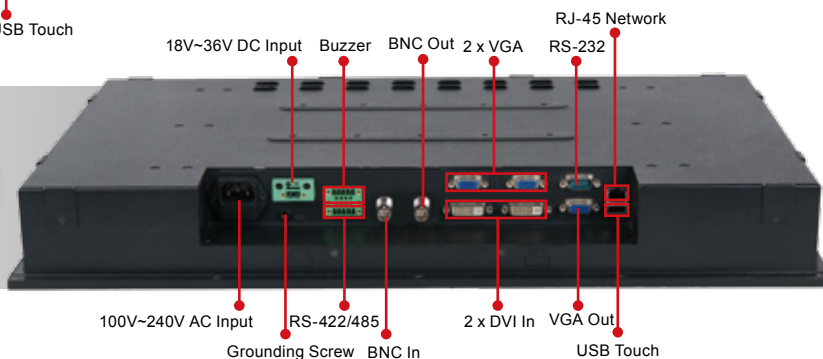
Specifications

Model	S19M	S24M	
LCD	LCD Size	19"	24"
	Panel Type	PMVA	AMVA
	Max Resolution	1280 x 1024 (5:4)	1920 x 1080 (16:9)
	Contrast Ratio	2000 : 1	5000 : 1
	Brightness (cd/m ²)	300	300
	LCD Color	16.7M	16.7M
	Pixel Pitch (um)	294 x 294	276.75 x 276.75
	Viewing Angles (H-V)	178° / 178°	178° / 178°
Backlight MTBF (HRs)	50000	50000	
Touchscreen & Controller	EXC7920 (10-point)		
Scalar Chip	STDP8028		
I/O Ports	<ul style="list-style-type: none"> • DVI-D Signal Input: 2 x DVI (24-pin, female) • VGA Signal Input: 2 x D-sub (15-pin, female) • VGA Signal Output: 1 x D-sub (15-pin, female) - Clone of VGA IN* • Composite Video Input: 1 x BNC connector (Female) • Composite Video Output: 1 x BNC connector (Female) • RS-232/422/485 for Remote Control (Non-isolated) • Touchscreen: 1 x USB Type A Connector (Female) • Ethernet: 1 x RJ-45 Connector for Remote Control • Isolated AC Power Inlet: 100V~240V AC • Isolated DC Terminal Block: 18V~36V DC • 1 x Buzzer 		
PIP	Yes		
OSD Button	P-CAP Button (LCD on/off, Menu, Auto, Up, Down, Left, Right)		
LED/Sensor	Ambient light sensor (0%~100%)		
Power Requirement	Multi-power Supply: Isolated AC Power: 100-240V, 2-1A, 50-60Hz Isolated DC Power: 18-36V, 8-4A		
Operating Temperature	-15°C ~ 55°C		
Storage Temperature	-20°C ~ 60°C		
Humidity	5% to 95% RH		
Thermal Design	Fanless		
Housing	Aluminum front , sheet metal back (Black C)		
Cut-out Dimensions (L x W)	442 mm x 373 mm	576 mm x 358 mm	
Dimensions (L x W x D)	463 mm x 394 mm x 113 mm	592 mm x 374 mm x 113 mm	
Mounting	VESA 100mm x 100mm		
Net Weight (kg)	7.74	11.48	
Gross Weight (kg)	11.54	15.97	
Approvals	EMC: CE, FCC		
	Safety: DNV, IEC 60945 4th, IACS-E10		
	IP Rating: IP66 front , IP22 rear		

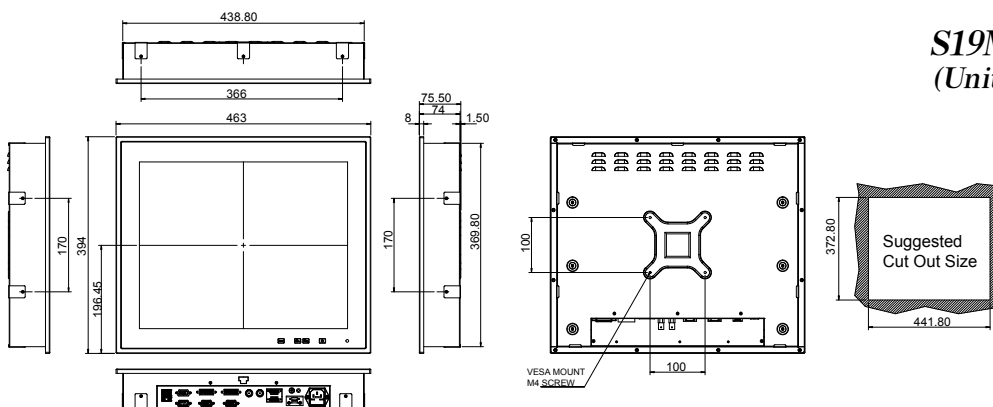


S19M

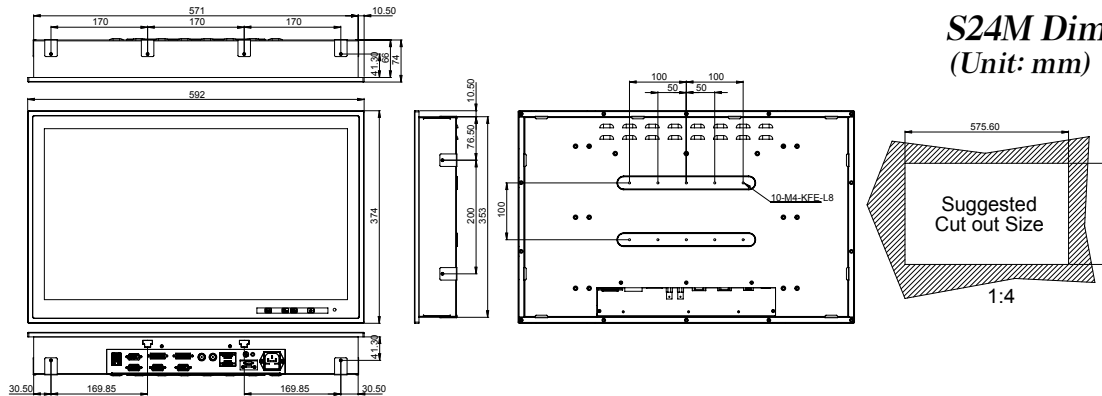
S24M



S19M Dimensions
(Unit: mm)



S24M Dimensions
(Unit: mm)



Options

Item	Part No.	Description
Panel Mount Kit	PK-S19M-R10	for S19M
	PK-S24M-R10	for S24M
Desktop Stand	STAND-A21-R10	for S19M & S24M

Packing List

Item	Q'ty	Remark
User Manual & Driver CD	1	Drivers and user manual
VGA	1	VGA Signal Cable
DVI	1	DVI Signal Cable
USB	1	Touch Screen Cable USB
Power Cord	1	Power Cord
S19M or S24M	1	

Ordering Information

PN	Description
S19M-AD/PC-R10	19" SXGA 300cd/m ² Marine Display with AC and DC redundant power, PCAP touch screen, R10
S24M-AD/PC-R10	24" FHD 300cd/m ² Marine Display with AC and DC redundant power, PCAP touch screen, R10