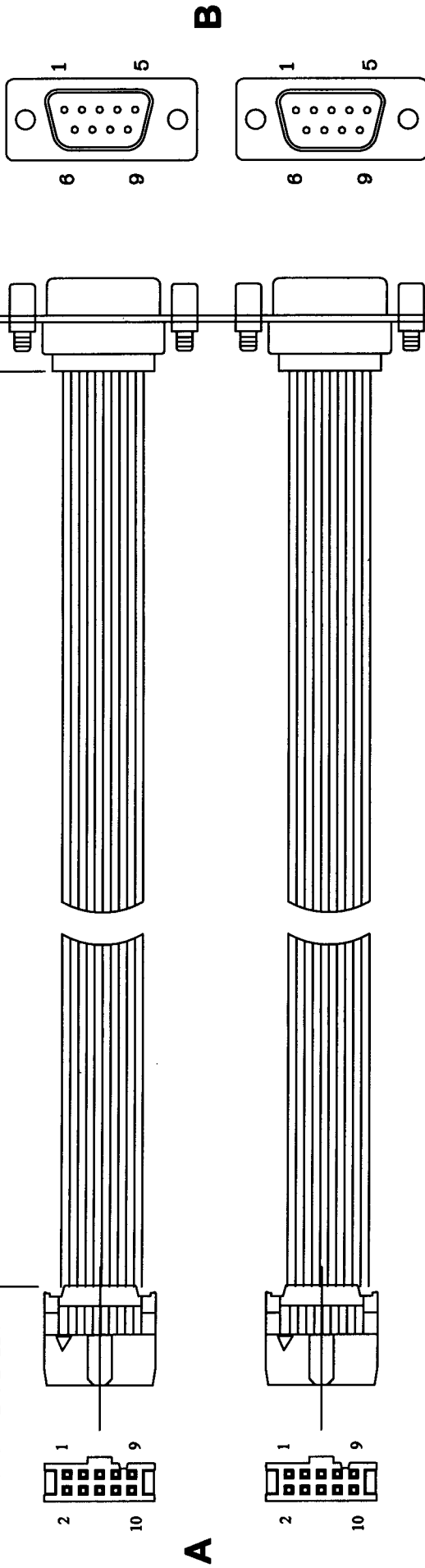


D-Sub 9Pin
(Male)

500mm

IDC 2.54-10PIN



Flat Cable(Assembly Parts)

A(10P)	B(9P)
1	1
2	6
3	2
4	7
5	3
6	8
7	4
8	9
9	5
10	

NOTE:

1. Bracket 尺寸請依標準規格製作

2. 單PCS包裝, CABLE 需鎖上銅柱螺絲

4#40 (銅柱螺絲)

經確認是新料料号!

李建石

REV	DESCRIPTION	SIGN	DATE

RANGE (mm)	Common Tolerance	APPROV	Change	93/05/11
0-25	± 0.10	CHECK	Change	93/05/11
25-80	± 0.15	DESIGN	Frigo	93/05/11
80-200	± 0.20	DRAWN	Frigo	93/05/11
200-400	± 0.30	UNIT:mmm	SCALE:1:1	
400~	± 0.40		SIZE: A4	
ANGLE ± 1°				

ICP Electronics Inc.
TITLE
RS232 CABLE
MODEL
SAGP-865EV
PART NO: 32200-029000

FILE NO: 32200-029000