

ACE-C232 *PS/2 Size 230 W Redundant Power Supply*

1
Application
Server
Platform

2
Single
Board
Computer

3
IBX Series
POS PC

4
AFOLUX
POS
Panel PC

5
Video
Capture
Card

6
KAMIO
RISC

7
IOVU
Open HMI

8
VITO
Universal
Controller

9
DINO
BLADE

10
LCD
Product
Series

11
Embedded
System

12
Industrial
Computer
Chassis

13
Power
Supply

14
Peripherals



Specifications

Power Fault Warning:

When one power module fails, the buzzer sounds and the LED lights up. Push the red button to stop the buzzer.

The LED stays lit until the failed power module is replaced.

ACE-R23A 230W Redundant Power Module

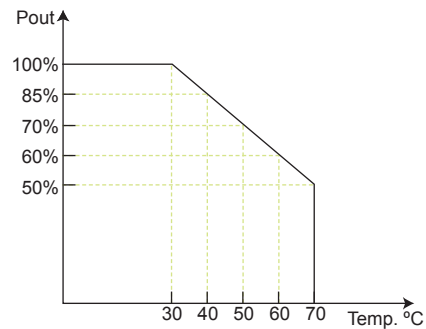
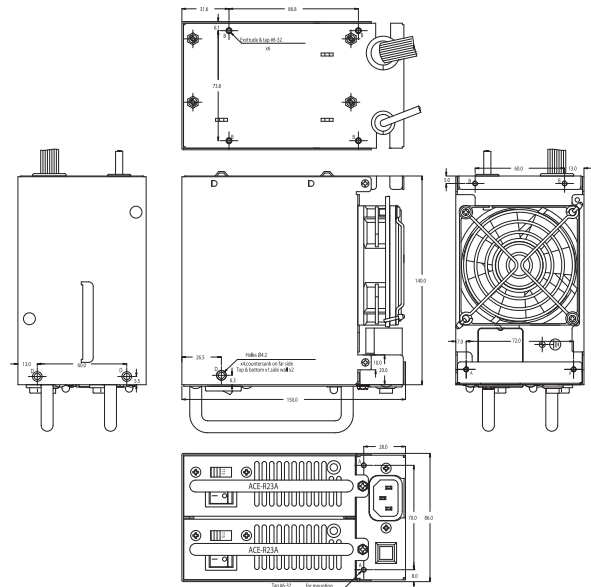
- ◆ Input : 90 VAC - 130 VAC or 180 VAC - 260 VAC
- ◆ Output (Max. output power 230 W at 30°C)

Output	Min. Load	Rated Load	Max. Load	Voltage Accessory
+5 V	4.0 A	20 A	25 A	4.80 V to 5.20 V
+12 V	1.0 A	10 A	12 A	11.4 V to 12.9 V
-12 V	0.1 A	0.5 A	1 A	-11.30 V to -12.60 V
-5 V	0.1 A	0.5 A	1 A	-4.65 V to -5.25 V

- ◆ Ripple and Noise:
The peak to peak ripple and noise for the +5 V output is less than 50 mV, for the ±12 V and -5 V output it's less than 100 mV.
- ◆ Line Regulation:
The line regulation for each output is less ±1% while measuring at rated load and ±10% or 115VAC or 230VAC input voltage changing.
- ◆ Load Regulation:
The output voltage load regulation is less than the following values when changing each output and 40% to 60% rated load, with all other outputs at 60% of the rated load.
+5 V : ±4 % +12 V : ±5 % -12 V : ±2 % -5 V : ±2 %
- ◆ Hold Up Time: >16ms
- ◆ Power Good Signal:
Go high 100ms to 500ms after all output DC Voltages are within regulation limits.
- ◆ Efficiency: 70% typical
- ◆ Output protection: Overvoltage and short protection
- ◆ Operating temperature : 0 °C~ 50°C
(derating about 20% form 30°C to 50°C)
- ◆ Storage temperature : -40 °C~ 75°C
- ◆ Cooling: Cooling with a 42CFM fan
- ◆ MTBF: 122,347 Hrs
- ◆ Safety Standards: CSA22.2 No. 234;
- ◆ EMI Standard: ECC docket 20780 curve "B" ; EN55022 class "B"
- ◆ Connectors: DIN 41612 C96
- ◆ Pin Assignment:

Pin 1	AC L	Pin 11, 12, 13	+12V
4	AC N	11~25	GND
9	-5 V	26~31	+5 V
10	-12 V	32	Power Good

Dimensions



Ordering Information

Part No.	Description
ACE-C232-RS	PS/2 size 230W redundant power supply includes two ACE-R23A-RS
ACE-R23A-RS	230W redundant power module, For ACE-C232-RS