

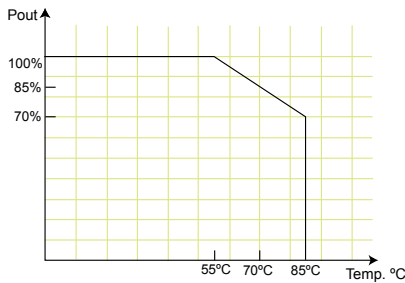
# IDDUPS-1228180

80 W Battery Charger Module for ACE-818C

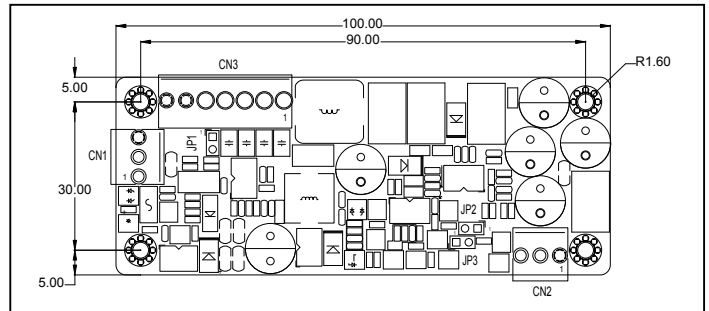


## Specifications

- Output (9max.): 20 V@4 A
- Battery charge voltage: 12 VDC to 28 VDC
- Efficiency: up to 90%
- Dimensions: 40 mm x 100 mm
- Weight: NW: 40 g
- Operating temperature: 0°C ~ 50°C
- Storage temperature: -20°C ~ 85°C



## Dimensions (Millimeters)



## Wire Harness Selection Guide



PN: CB-818C-RS  
Cable for ACE-818C input/output

## Battery Pack: Part # BAT-LI-2S1P3000



Battery Type	Li-Polymer			
Pout(W)	100	80	60	40
Time(min)	8	14	22	35
Dimensions	DR202 package 148x89x20 mm			
Capacity	3000 mAh			
Weight	230 g			

## PIN Assignments

### Input Power Connector

CN1	Pin 1	Pin 2	Pin 3
	VIN	-	GND

### Output Power Connector

CN2	Pin 1	Pin 2	Pin 3
	VOUT	-	GND

### Battery Connector

CN3	Pin1	Pin 2	Pin 3	Pin 4	Pin 5	Pin 6	Pin 7
	BAT+	BAT+	NC	NC	NC	GND	GND

## Packing information

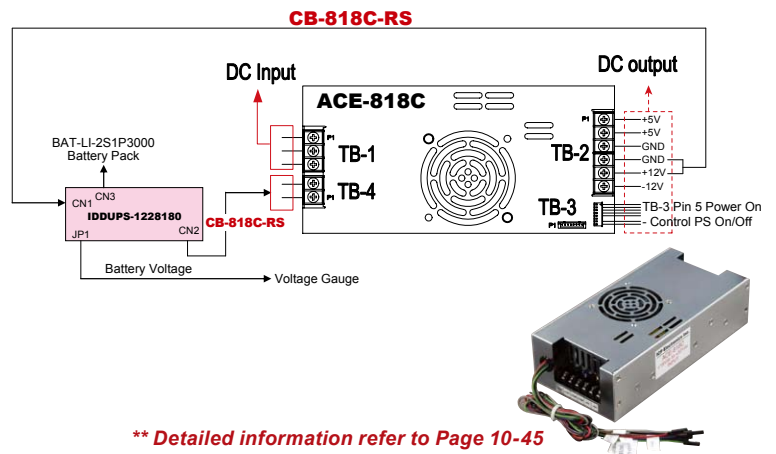
1 x IDDUPS-1228180-R10

2 x CB-818C-RS

## Ordering Information

Part No.	Description
IDDUPS-1228180-R10	80 W; battery charger for ACE-818C
ACE-818C	+24 VDC input 140 W ATX / battery backup function power supply
BAT-LI-2S1P3000	Li-Polyme, smart battery pack, 2S1P, 3000 mAh
CB-818C-RS	40 cm, cable for ACE-818C input/output

## ACE-818C & IDDUPS-1228180 Wiring information



\*\* Detailed information refer to Page 10-45



1 Industrial Computing Solutions

2 Embedded Computing Solutions

3 RISC-Based Embedded Solutions

4 Industrial Data Collector/Server Solutions

5 Industrial Data Collection

6 I/O Communication Solutions

7 Panel Solutions

8 Power Supply/Network Communication/Peripherals