

IES-1050R

Industrial 5-port Unmanaged Redundant Ethernet Switch

3 ORing

Highlights

- IES-1050R Supports **O-Ring** (recovery time < 10ms over 250 units of connection)
- Supports 5x10/100Base-T(X) ports
- Compact size for easily installation
- Rigid IP-30 housing design



Features

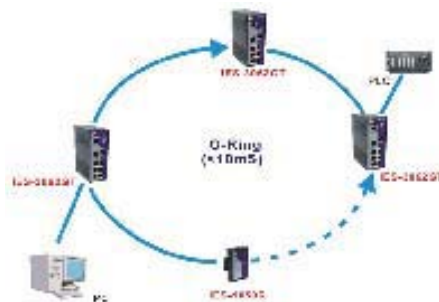
- World's fastest Redundant Ethernet Ring: O-Ring (recovery time < 10ms over 250 units of connection)
- Supports 5 ports 10/100Base-T(X)
- Very wide operating temperature range from -40°C to 70°C
- Rigid IP-30 housing design
- DIN-Rail and panel mounting enabled

Introduction

IES-1050R is unmanaged Redundant Ring Ethernet switches with 5x10/100TX ports. With very compact size of housing, you can install IES-1050R easily. In addition, it also support of Ethernet Redundancy protocol, O-Ring (recovery time < 10ms over 250 units of connection) can protect your mission-critical applications from network interruptions or temporary malfunctions with its fast recovery technology. IES-1050R is with rigid IP-30 housing design and can operate under harsh environment. The feature of wide operating temperature range from -40°C to 70°C can satisfy most requirement of operation.

Practical Operation

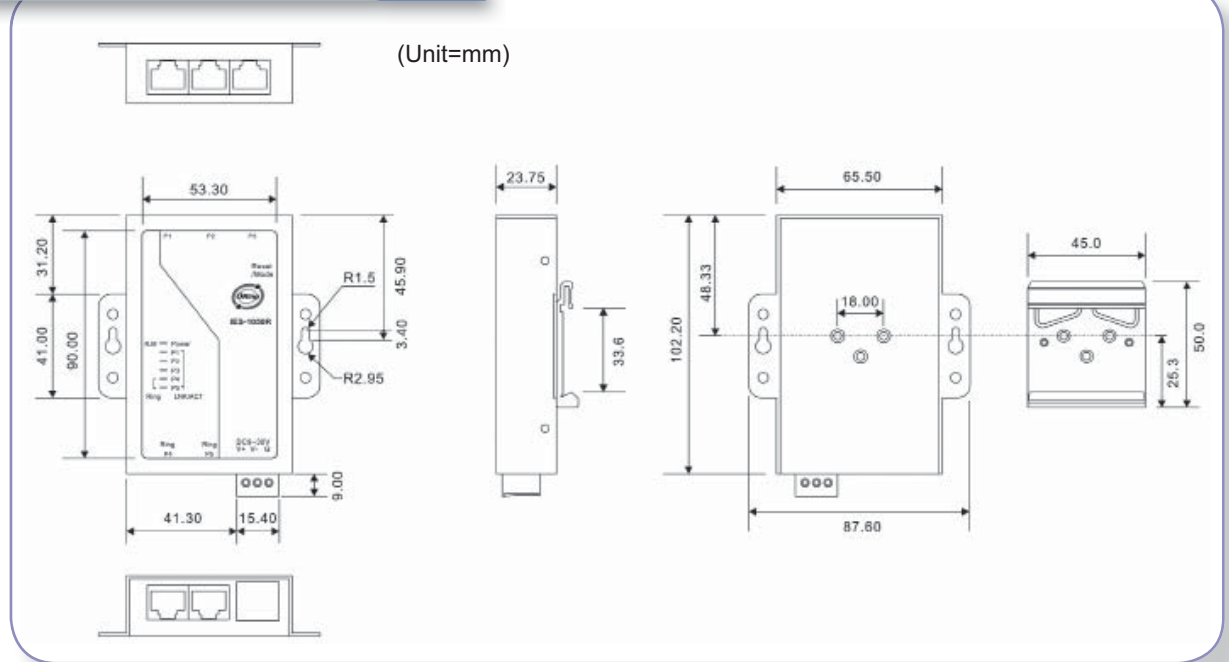
IES-1050R can be used in connecting several Ethernet devices like Ethernet I/O, IP-Camera or other Ethernet switches. In addition, O-Ring redundant technology is supported to guarantee a non-stop operation.



Connections of redundancy with O-Ring

Industrial Ethernet Switches

Dimension



Specifications

| ORing Switch Model | IES-1050 |
|---------------------------------------------|----------------------------------------------------------------------------------------------------|
| Physical Ports | |
| 10/100Base-T(X) Ports in RJ45 Auto MDI/MDIX | 5 |
| Technology | |
| Ethernet Standards | IEEE 802.3 for 10Base-T, IEEE 802.3u for 100Base-T(X) and 100Base-FX, IEEE 802.3x for Flow control |
| MAC Table | 2048 MAC addresses |
| Priority Queues | 4 |
| Processing | Store-and-Forward |
| Network Redundancy | O-Ring with recovery time less than 10ms over 250 units |
| LED indicators | |
| Power / Ready indicator | Green : Ready LED x 1 |
| 10/100TX RJ45 port indicator | Green for port Link/Act. |
| R.M. indicator | Yellow : Indicate system operated in O-Ring Master mode |
| O-Ring indicator | Yellow : Indicate port operated in O-Ring mode |
| Power | |
| Input power | 9~ 30 VDC voltage power input at 3-pin terminal block |
| Power consumption (Typ.) | 3W |
| Overload current protection | Present |
| Reverse polarity protection | Present on terminal block |
| Physical Characteristic | |
| Enclosure | IP-30 |
| Dimension (W x D x H) | 88 mm (W) x 102 mm(D) x 24 mm(H) |
| Weight (g) | 308 g |

| Environmental | |
|-----------------------|--------------------------------------------------------------------------------------------------------------------------|
| Storage Temperature | -40 to 85°C (-40 to 185°F) |
| Operating Temperature | -40 to 70°C (-40 to 158°F) |
| Operating Humidity | 5% to 95% Non-condensing |
| Regulatory approvals | |
| EMI | FCC Part 15, CISPR (EN55022) class A |
| EMS | EN61000-4-2 (ESD), EN61000-4-3 (RS), EN61000-4-4 (EFT), EN61000-4-5 (Surge), EN61000-4-6 (CS), EN61000-4-8, EN61000-4-11 |
| Shock | IEC60068-2-27 |
| Free Fall | IEC60068-2-32 |
| Vibration | IEC60068-2-6 |
| Safety | EN60950 |
| Warranty | 5 years |

Ordering Information

IES-1 AA B R

| Code efnition | 10/100TX Port Number | Additional Port Number |
|---------------|----------------------|------------------------|
| Option | - 05: 5 ports | - 0: 0 port |

| Available Model | Model Name | Description |
|-----------------|------------|------------------------------------------------------------------------|
| | IES-1050R | Industrial 5-port Unmanaged Redundant Ethernet Switch with 5x10/100 TX |