

IGS-1050A/1041GPA

► Industrial 5-port slim type unmanaged Gigabit Ethernet switch

Features

- Supports 5 x 10/100/1000Base-T(X) ports or 4 x 10/100/1000Base-T(X) and 1 x 1000Base-X SFP ports
- Supports Jumbo Frame up to 10240 Bytes
- Hardware DIP-switch to enable/disable warning function
- Rigid IP-30 slim type housing design
- DIN-Rail and wall mounting enabled
- Relay output to carry capacity of 1A at 24 VDC

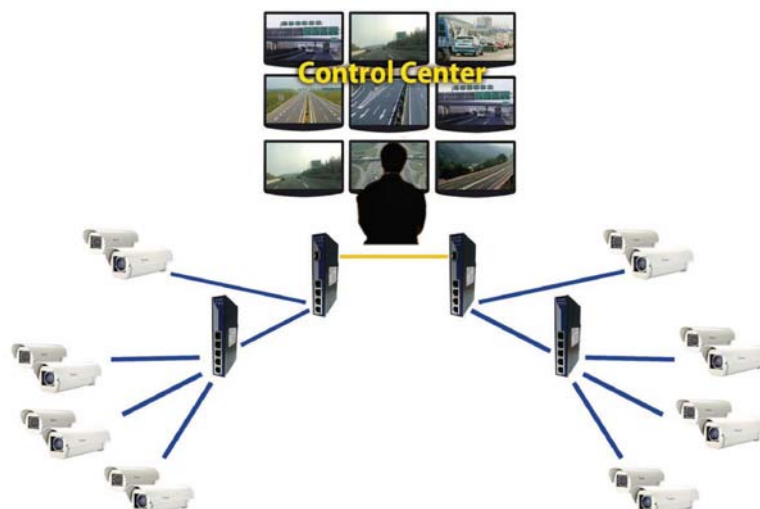


Introduction

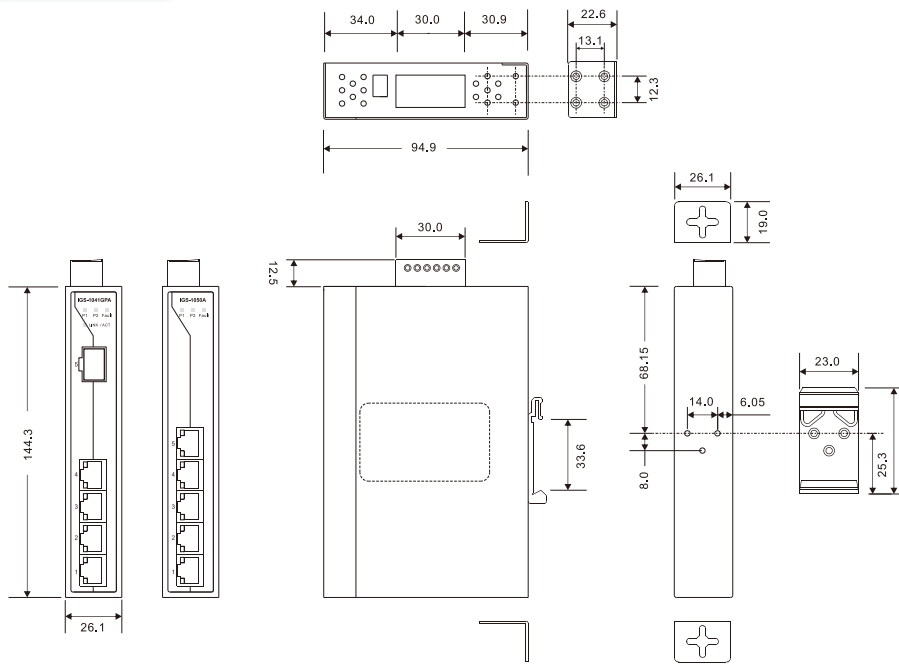
IGS-1050A/IGS-1041GPA series are unmanaged gigabit Ethernet switches with 5 x 10/100/1000Base-T(X) ports or 4 x 10/100/1000Base-T(X) and 1 x 1000Base-X SFP ports. IGS-1050A/IGS-1041GPA series support redundant power inputs, rigid IP-30 housing and have DIP switches for enabling or disabling relay output alarm. In addition, the wide operating temperature range from -40 to 70°C can satisfy most of operating environment.

Practical Operation

IGS-1050A/IGS-1041GPA can be used in connecting several Ethernet devices like Ethernet I/O, IP-Camera or other Ethernet switches. In addition, there are two different power inputs at terminal block to avoid interruption caused by power down. When the primary DC power input fails, the backup power input will take over immediately to guarantee a non-stop operation.



Dimension



(Unit=mm)

Specifications

ORing Switch Model	IGS-1050A	IGS-1041GPA
Physical Ports		
10/100/1000Base-T(X) Ports in RJ45 Auto MDI/MDIX	5	4
1000Base-X SFP Ports	-	1
Technology		
Ethernet Standards	IEEE 802.3 for 10Base-T, IEEE 802.3u for 100Base-T(X) IEEE 802.3z for 1000Base-X IEEE 802.3ab for 1000Base-T(X) IEEE 802.3x for Flow control	
MAC Table	1024 MAC addresses	
Processing	Store-and-Forward	
Jumbo Frame	10240 Bytes	
LED Indicators		
Power Indicator	Green : Power LED x 2	
Fault Indicator	Amber : Indicate PWR1 or PWR2 failure	
10/100/1000Base-T(X) RJ45 Port Indicator	Green for port Link / Act Amber for 100Mbps indicator	
100/1000Base-X SFP Port Indicator	-	Green for port Link/Act
Fault contact		
Relay	Relay output to carry capacity of 1A at 24VDC	

Power	
Redundant Input Power	Dual DC inputs. 12~48VDC on 6-pin terminal block.
Power Consumption (Typ.)	5.5 Watts
Overload Current Protection	Present
Reverse Polarity Protection	Present
Physical Characteristic	
Enclosure	IP-30
Dimension (W x D x H)	26.1(W) x 94.9(D) x 144.3(H) mm (1.03x3.74x5.68 inch.)
Weight (g)	420g
	403g
Environmental	
Storage Temperature	-40 to 85°C (-40 to 185°F)
Operating Temperature	-40 to 70°C (-14 to 158°F)
Operating Humidity	5% to 95% Non-condensing
Regulatory approvals	
EMI	FCC Part 15, CISPR (EN55022) class A
EMS	EN61000-4-2 (ESD), EN61000-4-3 (RS), EN61000-4-4 (EFT), EN61000-4-5 (Surge), EN61000-4-6 (CS), EN61000-4-8, EN61000-4-11
Shock	IEC60068-2-27
Free Fall	IEC60068-2-32
Vibration	IEC60068-2-6
Safety	EN60950-1
Warranty	5 years

Ordering Information

IGS-1 **AA** **B** **CC** **A**

Code Definition	10/100/1000Base-T(X) Port Number	Additional Port Number	Additional Port Type
Option	- 4 : 4 ports - 5 : 5 ports	- 0 : 0 ports - 1 : 1 ports	- GP : 1000Base-X in SFP

Available Model	Model Name	Description
	IGS-1050A	Industrial 5-port slim type unmanaged Gigabit Ethernet switch with 5x10/100/1000Base-T(X)
	IGS-1041GPA	Industrial 5-port slim type unmanaged Gigabit Ethernet switch with 4x10/100/1000Base-T(X) and 1x1000Base-X, SFP socket
Packing List		Optional Accessories (Can be purchased separately) P7-2
<ul style="list-style-type: none"> IGS-1050A / 1041GPA Quick Installation Guide DIN-Rail Kit Wall-mount Kit 		<ul style="list-style-type: none"> SFP1G series, 1Gbps SFP optical transceiver DR-45 series, 45W DIN-Rail power supply DR-75 series, 75W DIN-Rail power supply DR-120 series, 120W DIN-Rail power supply