

IGS-3044GP

▶ Industrial 8-port managed Gigabit Ethernet switch with 4x10/100/1000Base-T(X) and 4x100/1000Base-X, SFP socket

Features

- World's fastest Redundant Ethernet Ring : **O-Ring** (recovery time < 20ms over 250 units of connection)
- **Open-Ring** support the other vendor's ring technology in open architecture
- **O-RSTP** support applications with complex topology
- STP/RSTP/MSTP supported
- Support **PTP Client** (Precision Time Protocol) clock synchronization
- IGMP v2/v3 (IGMP snooping support) for filtering multicast traffic
- Port Trunking for easy of bandwidth management
- SNMP v1/v2c/v3 support for secured network management
- RMON for traffic monitoring
- Supports **DDM** (Digital Diagnostic Monitoring) function
- Event notification through Syslog, Email, SNMP trap, and Relay Output
- Windows utility (**Open-Vision**) support centralized management and configurable by Web-based ,Telnet, Console, CLI
- Support eight Gigabit ports
- Rigid IP-30 housing design
- DIN-Rail and wall mounting enabled
- Support LLDP Protocol

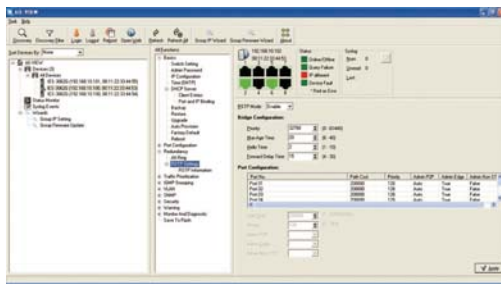
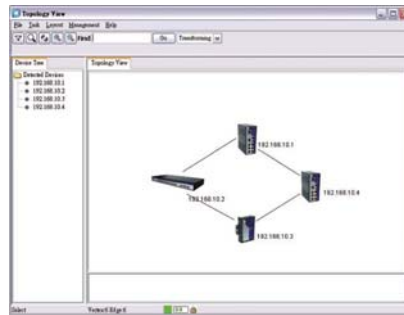
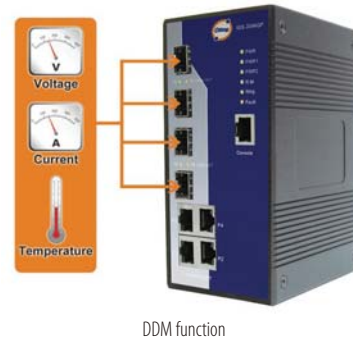
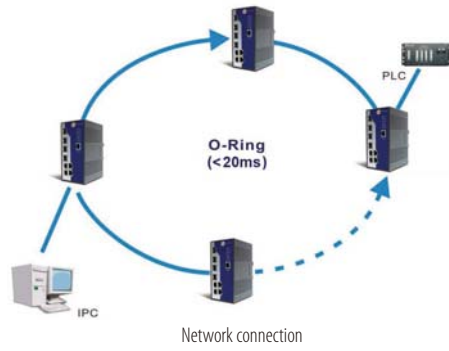


Introduction

IGS-3044GP is a full gigabit managed Redundant Ring Ethernet switch with 4x10/100/1000Base-T(X) and 4x100/1000Base-X SFP ports. With completely support of Ethernet Redundancy protocol, O-Ring (recovery time < 20ms over 250 units of connection), Open-Ring, O-RSTP and MSTP/RSTP/STP (IEEE 802.1s/w/D) can protect your mission-critical applications from network interruptions or temporary malfunctions with its fast recovery technology. IGS-3044GP can be managed centralized and convenient by a powerful windows utility — Open-Vision. IGS-3044GP support new DDM (Digital Diagnostic Monitoring) function, which can monitor the status of electrical voltage, current and temperature instantly. The redundant DC power inputs guarantee a non-stop operation. The backup power input will take over immediately when the primary DC power input fails. IGS-3044GP provides relay outputs that can be set up to indicate events with urgency to notify or warn the technicians, so they can quickly respond to the message in priority. Therefore, the switch is one of the most reliable choice for highly-managed and Fiber Ethernet application.

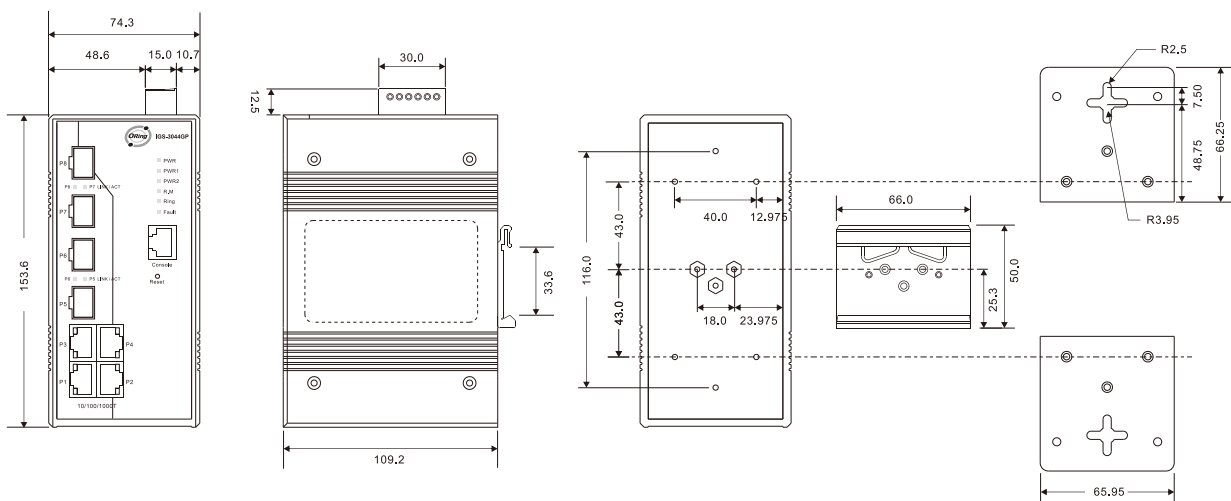
Open-Vision

ORing's switches are intelligent switches. Different from other traditional redundant switches, ORing provides a set of Windows utility (Open-Vision) for user to manage and monitor all of industrial Ethernet switches on the industrial network.



Monitoring and Configuration interface

Dimension



(Unit=mm)

Specifications

ORing Switch Model	IGS-3044GP
Physical Ports	
10/100/1000Base-T(X) Ports in RJ45 Auto MDI/MDIX	4
100/1000Base-X SFP Ports	4
Technology	
Ethernet Standards	IEEE 802.3 for 10Base-T, IEEE 802.3u for 100Base-T(X) and 100Base-FX IEEE 802.3z for 1000Base-X IEEE 802.3ab for 1000Base-T, IEEE 802.3x for Flow control IEEE 802.3ad for LACP (Link Aggregation Control Protocol) IEEE 802.1D for STP (Spanning Tree Protocol) IEEE 802.1p for COS (Class of Service) IEEE 802.1Q for VLAN Tagging IEEE 802.1w for RSTP (Rapid Spanning Tree Protocol) IEEE 802.1s for MSTP (Multiple Spanning Tree Protocol) IEEE 802.1x for Authentication IEEE 802.1AB for LLDP (Link Layer Discovery Protocol)
MAC Table	8192 MAC addresses
Priority Queues	4
Processing	Store-and-Forward
Switch Properties	Switching latency : 7 us Switching bandwidth : 16Gbps Max. Number of Available VLANs : 4096 IGMP multicast groups : 1024 Port rate limiting: User Define
Security Features	Enable/disable ports, MAC based port security Port based network access control (802.1x) VLAN (802.1Q) to segregate and secure network traffic Supports Q-in-Q VLAN for performance & security to expand the VLAN space Radius centralized password management SNMPv3 encrypted authentication and access security
Software Features	STP/RSTP/MSTP (IEEE 802.1D/w/s) Redundant Ring (O-Ring) with recovery time less than 20ms over 250 units TOS/Diffserv supported Quality of Service (802.1p) for real-time traffic VLAN (802.1Q) with VLAN tagging and GVRP supported IGMP Snooping for multicast filtering Port configuration, status, statistics, monitoring, security SNTP for synchronizing of clocks over network Support PTP Client (Precision Time Protocol) clock synchronization DHCP Server / Client support Port Trunk support MVR (Multicast VLAN Registration) support
Network Redundancy	O-Ring Open-Ring O-RSTP STP RSTP MSTP
Warning / Monitoring System	Relay output for fault event alarming Syslog server / client to record and view events Include SMTP for event warning notification via email Event selection support
DDM Function	Voltage / Current / Temperature of SFP transceiver
RS-232 Serial Console Port	RS-232 in RJ45 connector with console cable. 9600bps, 8, N, 1
LED Indicators	
Power Indicator	Green : Power LED x 3
R.M. Indicator	Green : Indicate system operated in O-Ring Master mode
Ring Indicator	Green : Indicate system operated in O-Ring mode

Fault Indicator	Amber : Indicate unexpected event occurred
10/100/1000Base-T(X) RJ45 port Indicator	Green for port Link/Act. Amber for 100Mbps indicator
100/1000Base-X SFP port Indicator	Green for port Link/Act.
Fault contact	
Relay	Relay output to carry capacity of 1A at 24VDC
Power	
Redundant Input Power	Dual DC inputs. 12~48 VDC on 6-pin terminal block
Power Consumption (Typ.)	20 Watts
Overload Current Protection	Present
Reverse Polarity Protection	Present on terminal block
Physical Characteristic	
Enclosure	IP-30
Dimension (W x D x H)	74.3(W)x109.2(D)x153.6(H) mm (2.93x4.3x6.05 inch)
Weight (g)	1022g
Environmental	
Storage Temperature	-40 to 85°C (-40 to 185°F)
Operating Temperature	-40 to 70°C (-40 to 158°F)
Operating Humidity	5% to 95% Non-condensing
Regulatory approvals	
EMI	FCC Part 15, CISPR (EN55022) class A
EMS	EN61000-4-2 (ESD), EN61000-4-3 (RS), EN61000-4-4 (EFT), EN61000-4-5 (Surge), EN61000-4-6 (CS), EN61000-4-8, EN61000-4-11
Shock	IEC60068-2-27
Free Fall	IEC60068-2-32
Vibration	IEC60068-2-6
Safety	EN60950-1
Warranty	5 years

Ordering Information

IGS-3 **AA** **B** **CC**

Code Definition	10/100/1000Base-T(X) Port Number	Additional Port Number	Additional Port Type
Option	- 4 : 4 ports	- 4 : 4 ports	- GP : 100/1000Base-X with SFP

Available Model	Model Name	Description
	IGS-3044GP	Industrial 8-port managed Gigabit Ethernet switch with 4x10/100/1000Base-T(X) and 4x100/1000Base-X, SFP socket

Packing List

- IGS-3044GP
- ORing Tool CD
- Quick Installation Guide
- DIN-Rail Kit
- Wall-mount Kit
- Console Cable

Optional Accessories (Can be purchased separately) P7-2

- Open-Vision M500, Powerful Network Management Windows Utility Suit, 500 IP devices
- SFP100 series, 100Mbps SFP optical transceiver
- SFP1G series, 1Gbps SFP optical transceiver
- DR-45 series, 45W DIN-Rail power supply
- DR-75 series, 75W DIN-Rail power supply
- DR-120 series, 120W DIN-Rail power supply