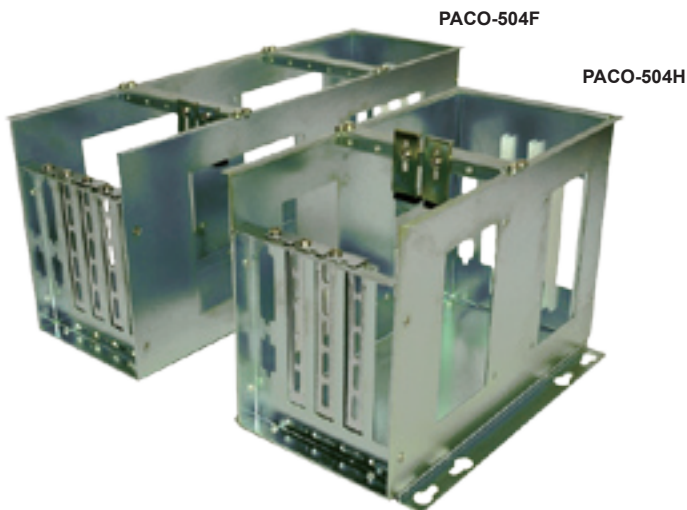


PACO-504H/504F

4-slot Open Frame Card Cage



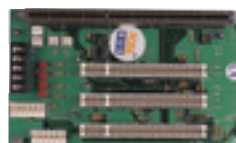
Features

- RoHS compliant design
- Supports PE, PCISA, ISA, and IEI PICO 4-slot backplane
- 2 set of 3.5" HDD mounting holes on both size of the cage
- 2 x COM, 2 x LPT openings
- Wall mountable design

Specifications

Model No.	PACO-504F	PACO-504H
SBC Type	Full-size slot SBC	Half-size slot SBC
Construction	SECC/SGCC	SECC/SGCC
Max. Slots	4 slots	4 slots
I/O Openings	COM	2
	LPT	2
3.5" HDD mounting hole	2 sets	2 sets
Mounting	Wall mount	Wall mount
Dimensions(DxWxH)	362mm x 124mm x 158mm	224mm x 124mm x 158mm
Weight (Net / Gross)	1.2Kg / 2.8Kg	1Kg / 2.5Kg

Backplane Options



PACO-504H

PSU Type	BP series	IP series	HPE series
AT	BP-4S-RS-R30	IP-4S-RS-R30 IP-4S2-RS-R30 IP-4S3-RS-R30 IP-4S4-RS-R30	
ATX		IP-4S2A-RS-R30 IP-4SA-RS-R30	HPE-4S1 HPE-4S2



PACO-504F

PSU Type	PCI series	PE series
ATX		PE-4S PE-4S2 PE-4S3
AT/ATX	PCI-4S-RS-R30	

1
Single Board Computer

2
VIDEO CARD

3
Xscale Solutions

4
Open HMI

5
VITO Universal Controller

6
DINO BLADE

7
LCD Product Series

8
Embedded System

9
Industrial Computer Chassis

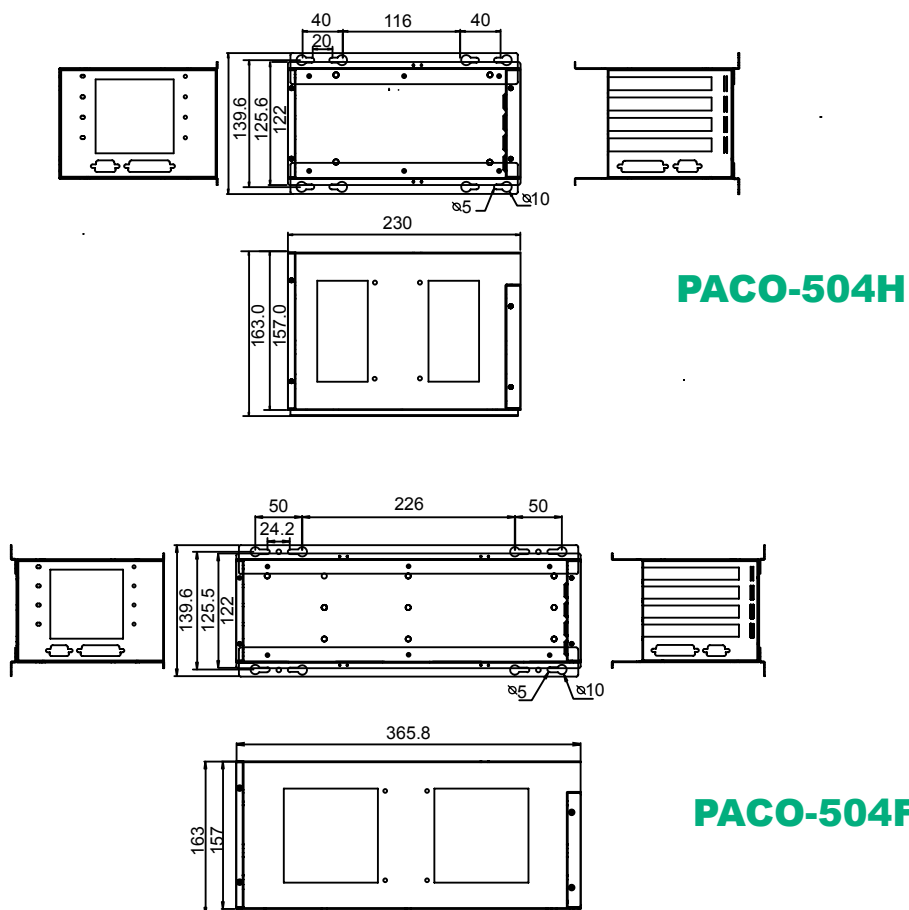
10
Power Supply

11
Peripherals

Backplane Specifications

Model No.	SBC Type	PCIe			PCI	ISA	PSU Connector
		x1	x4	x16			
BP-4S-RS-R30	ISA	0	0	0	0	4	AT
IP-4S-RS-R30	PCISA	0	0	0	3	0	AT
IP-4S2-RS-R30	PCISA	0	0	0	2	1	AT
IP-4S3-RS-R30	PCISA	0	0	0	0	3	AT
IP-4S4-RS-R30	PCISA	0	0	0	0	3	AT
HPE-4S1	PCI/PICoE	0	0	0	3	0	ATX
HPE-4S2	PCI/PICoE	0	1	0	2	0	ATX
PE-4S	PICMG 1.3	0	1	1	1	0	ATX
PE-4S2	PICMG 1.3	0	0	1	2	0	ATX
PE-4S3	PICMG 1.3	2	0	1	0	0	ATX
IP-4S2A-RS-R30	PCISA	0	0	0	3	0	ATX
IP-4SA-RS-R30	PCISA	0	0	0	3	0	ATX
PCI-4S-RS-R30	PICMG 1.0	0	0	0	3	1	AT/ATX

Dimensions



Ordering Information

Part No.	Description
PACO-504F	4-slot open frame card cage for full-size slot SBC, RoHS
PACO-504H	4-slot open frame card cage for half-size slot SBC, RoHS