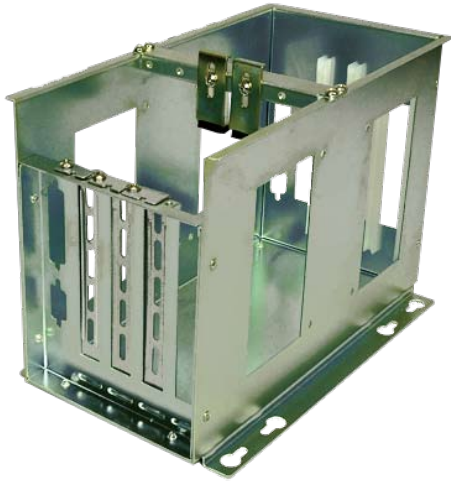


PACO-504H

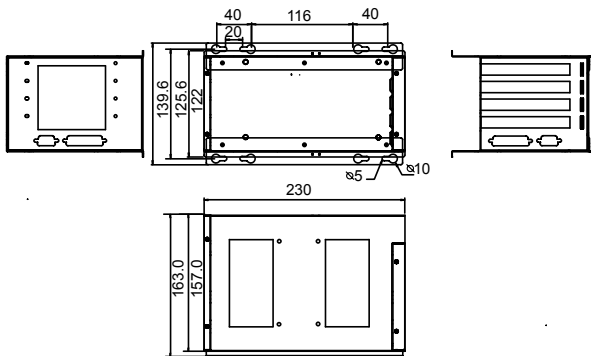
4-slot Half-size Open Frame Card Cage



Specifications

Model No.	PACO-504H	
SBC Type	Half-size slot SBC	
Construction	SECC/SGCC	
Max. Slots	4 slots	
I/O Openings	COM	2
	LPT	2
3.5" HDD mounting hole	2 sets	
Mounting	Wall mount	
Dimensions(DxWxH)	230mm x 122mm x 157mm	
Weight (Net / Gross)	1 kg / 2.5 kg	

Dimensions (unit: mm)



Backplane Specifications

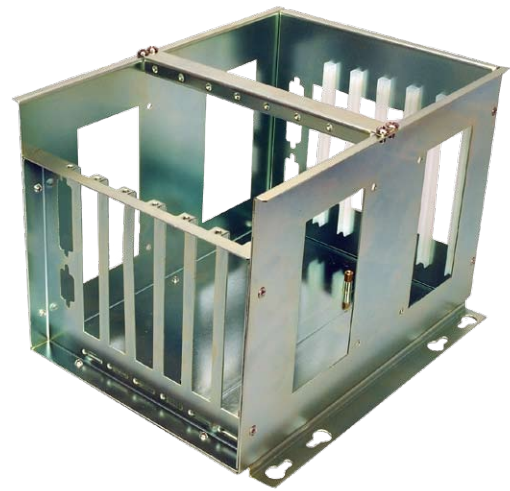
Model	Model No.	SBC Type	PCIe			PCI	ISA	PSU Connector
			x1	x4	x16			
PACO-504H	BP-4S-RS-R40	ISA	0	0	0	0	4	AT
	IP-4S-RS-R40	PCISA	0	0	0	3	0	AT
	IP-4S2-RS-R40	PCISA	0	0	0	2	1	AT
	IP-4S3-RS-R40	PCISA	0	0	0	0	3	AT
	HPE-4S1-R40	PCI/PIC0e	0	0	0	3	0	ATX
	HPE-4S2-R40	PCI/PIC0e	0	1	0	2	0	ATX
	IP-4S2A-RS-R40	PCISA	0	0	0	3	0	ATX
	IP-4SA-RS-R40	PCISA	0	0	0	3	0	ATX

Ordering Information

Part No.	Description
PACO-504H	4-slot open frame card cage for half-size slot SBC, RoHS

PACO-506H

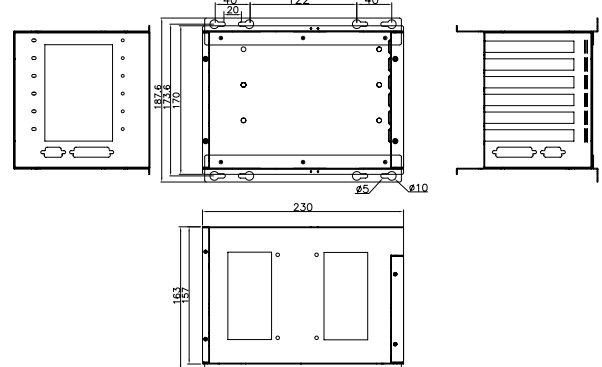
6-slot Half-size Open Frame Card Cage



Specifications

Model No.	PACO-506H	
SBC Type	Half-size slot SBC	
Construction	SECC/SGCC	
Max. Slots	6 slots	
I/O Openings	COM	2
	LPT	2
3.5" HDD mounting hole	2 sets	
Mounting	Wall mount	
Dimensions(DxWxH)	230 mm x 170 mm x 157 mm	
Weight (Net / Gross)	1.2kg/ 2.8kg	

Dimensions (unit: mm)



Backplane Specifications

Model	Model No.	SBC Type	PCIe			PCI	ISA	PSU Connector
			x1	x4	x16			
PACO-506H	IP-6S-RS-R40	PCISA	0	0	0	3	2	AT
	BP-6S-RS-R40	ISA	0	0	0	0	6	AT
	HPE-6S1-R40	PCI/PIC0e	0	1	0	4	0	ATX
	HPE-6S2-R40	PCI/PIC0e	2	0	0	3	0	ATX
	IP-6SA-RS-R40	PCISA	0	0	0	3	2	ATX

Ordering Information

Part No.	Description
PACO-506H	6-slot open frame card cage for half-size slot SBC, RoHS

1

Industrial Computing Solutions

2

Embedded Computing Solutions

3

RISC-Based Embedded Solutions

4

Industrial Data Collector/Server Solutions

5

Video Capture Solutions

6

I/O Communication Solutions

7

Panel Solutions

8

Power Supply/Network Communication/Peripherals