

A300 for Medical Systems

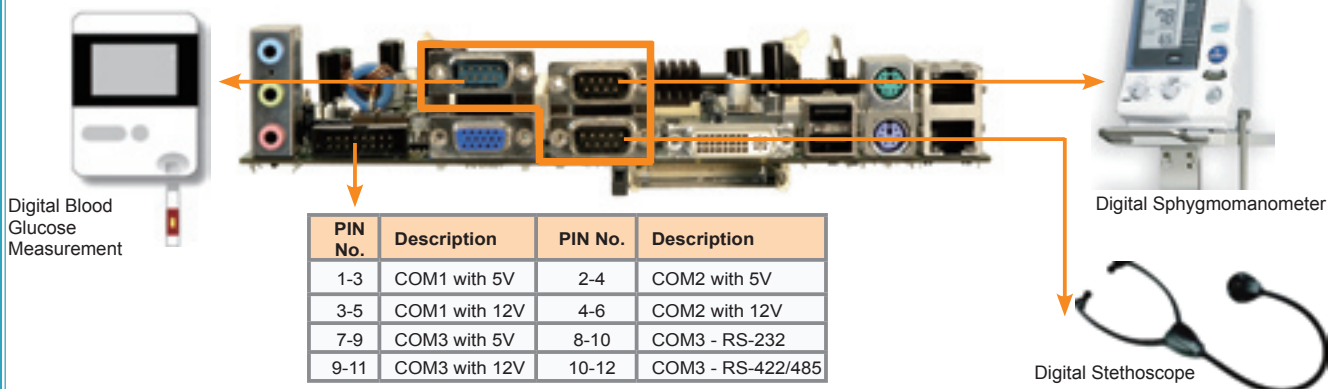
- Low Power, low thermal, complete I/O support
- Smallest unit of size: Strategic Health Authority
- Community based systems
- Large area of image distribution with a single patient folder

A300 COM Port Support

Fast COM Port Setting

A300 power com ports with fast jumper switch provides all portable digital medical devices

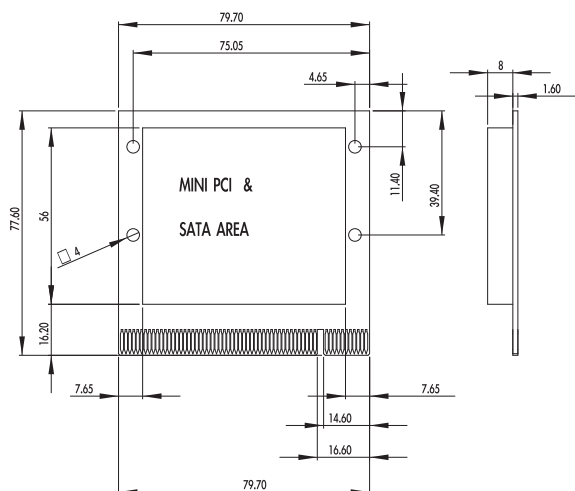
1. RS-232/422/485 Data communication
2. Fast 5V / 12V power selection



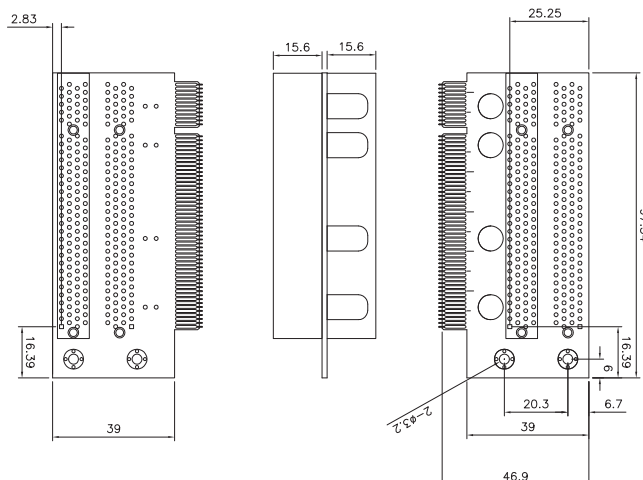
PIN No.	Description	PIN No.	Description
1-3	COM1 with 5V	2-4	COM2 with 5V
3-5	COM1 with 12V	4-6	COM2 with 12V
7-9	COM3 with 5V	8-10	COM3 - RS-232
9-11	COM3 with 12V	10-12	COM3 - RS-422/485

Dimensions

MPSATA-01



PCIR-168



1
Single Board Computer

2
VIDEO CARD

3
Xscale Solutions

4
Open HMI

5
VITO Universal Controller

6
DINO BLADE

7
LCD Product Series

8
Embedded System

9
Industrial Computer Chassis

10
Power Supply

11
Peripherals