

WPE-792

Intel Core 2 Duo Plasma/LCD Display Engine



Features

- Powerful Digital Signage Control Box (CPU Intel Core 2 Duo up to 2.60 GHz)
- Compact and low noise design
- Intel® Q965 GMA3000 solution
- One PCI-E (x16) Slot for expansion
- Support 1920x1080 HDTV content & 3D application



System

CPU	Socket 775, Intel Core 2 Duo Up to 2.66GHz (65W) standard: C2D E4700 2.60 GHz C2D E6400 2.13 GHz
FSB	800MHz / 1066MHz
Chipset	Intel® Q965 chipset: • Intel Q965 Graphic Memory Controller Hub (GMCH) • Intel ICH8 I/O Controller Hub
BIOS	Award BIOS: footprint for SPI, support for ACPI, SMBIOS
VGA	Intel Q965 integrated graphic subsystem (GMA3000)
LAN	Intel 82566DC Nineveh 10/100/1000x1 Marvell 88E8053 PCI-express Gigabit LAN controller x1
Memory	Two 240-pin DDRII 533/667/800 DIMM sockets (2x single channel), supports max. 4 GB system memory
I/O	Winbond W83627EHF
SATAII	Intel ICH8 built-in SATA II controller (3.0Gb/sec) w/ 4 ports
IDE	JMicron JM368 (PCI-e to PATA) x1 for 1 PATA channel
USB	6 USB 2.0 ports (4 ports in the rear I/O region, 2 ports with on-board headers)
Audio	Intel ICH8 built-in high definition audio w/ Realtek ALC888 Codec
WDT	256 segments, 0, 1, 2...255 sec/min

External I/O

VGA	DB-15 x 1
Audio Jack	Triple (3x1) phone jack stack connector x1 for High-Definition Audio
USB	USB 2.0 x 4
COM	DB-9 x 2
KB/Mouse	PS/2 Connector x2 for keyboard/mouse
LAN	RJ45 Gigabit Ethernet x2
Wireless LAN	x1 (option)
Dual DVI output	x1 (option)
TV Tuner and Video Capture	x1 (option)

Mechanical & Environmental

Power Input	AC 100 ~ 240V / 50 ~ 60Hz
Operating Temperature	0~40°C
Storage Temperature	-20~80°C
Relative Humidity	10%~90%, non-condensing
Dimensions	430 x 300 x 44.5mm
Weight	5.2 kg

Storage

HDD Internal drive bay for 3.5" SATA HDD x 1

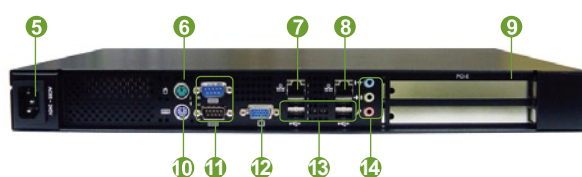
Expansion

PIC-E (x16) slot x 1

Fully-integrated I/O



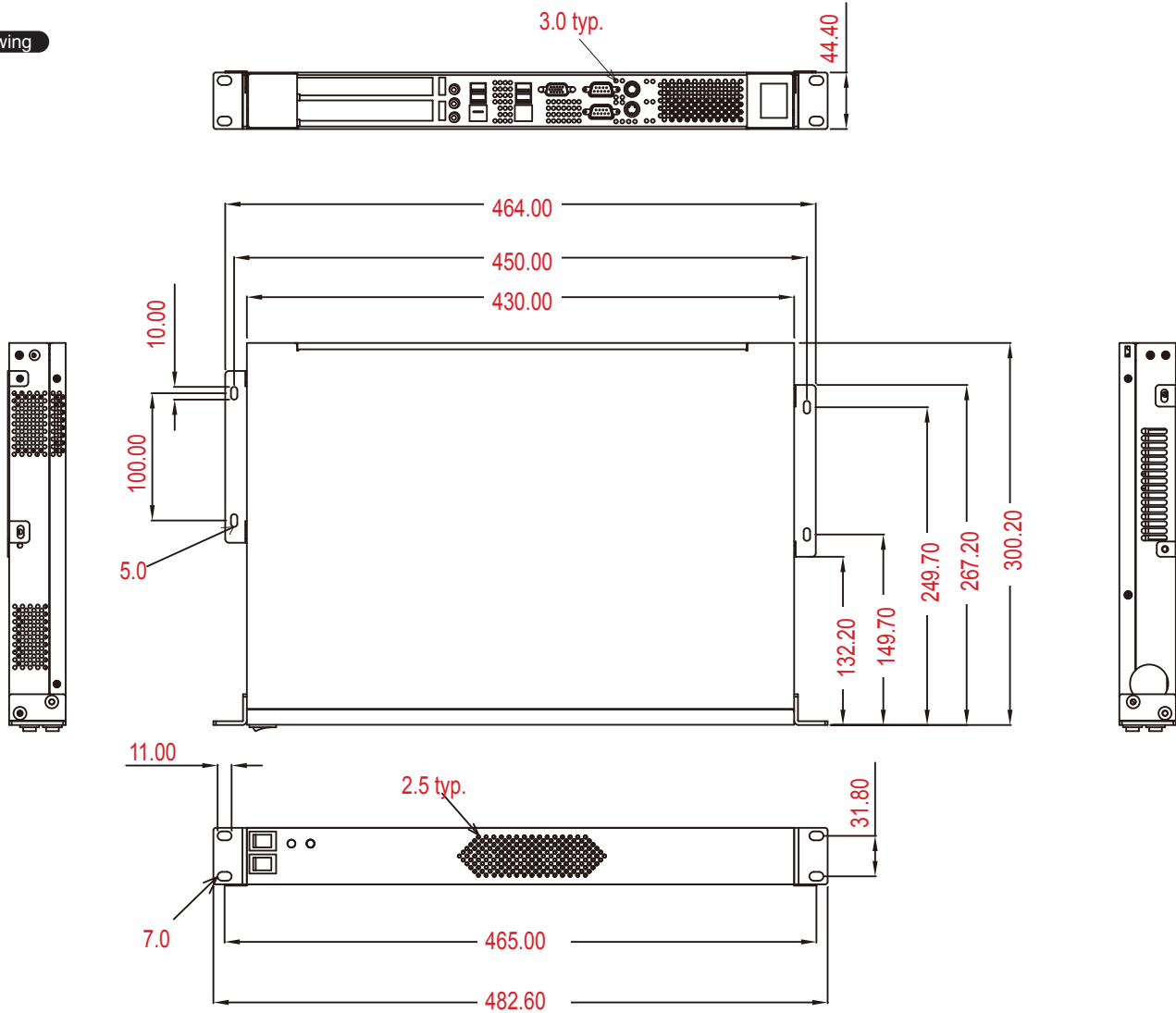
- ① Power LED
- ② HDD LED
- ③ Reset Switch
- ④ Power Switch



- ⑤ AC input
- ⑥ Mouse
- ⑦ RJ45 (Gigabit LAN)
- ⑧ RJ45 (Gigabit LAN)
- ⑨ Dual DVI (optional)
- ⑩ Keyboard
- ⑪ COM
- ⑫ VGA
- ⑬ USB 2.0
- ⑭ Line-in, Line-out, Mic-in

Intel Core 2 Duo Plasma/LCD Display Engine

Drawing

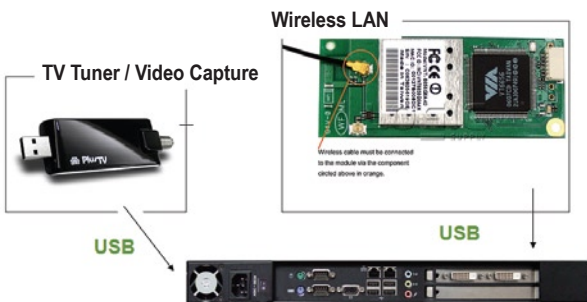


1. Fanless Panel PC
2. Medical All-in-one Solution
3. Engine Box
4. All-in-one Digital Signage Solution
5. XPe Solution
6. Remote Device Management (WRDM)

Option Features

- Wireless LAN x1 (USB slot)
- TV Tuner / Video Capture x1 (USB slot)
- Add on Graphic card

Application:



Wincomm offers complete solution for Digital Signage KIOSK applications.

Ordering information

1. WPE-792-C2D 2.13G-512-80
2. WPE-792-C2D 2.6G-512-80